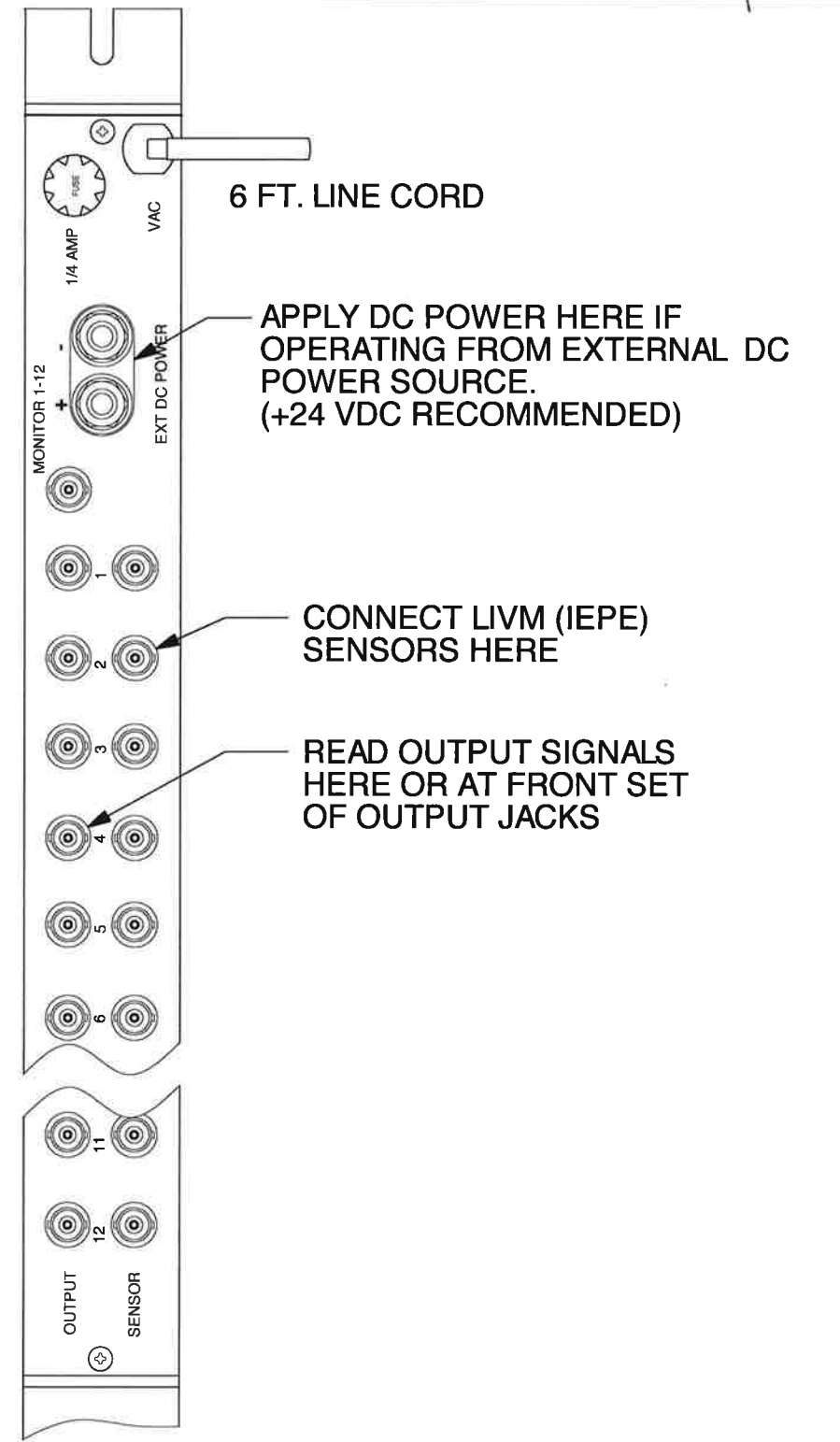
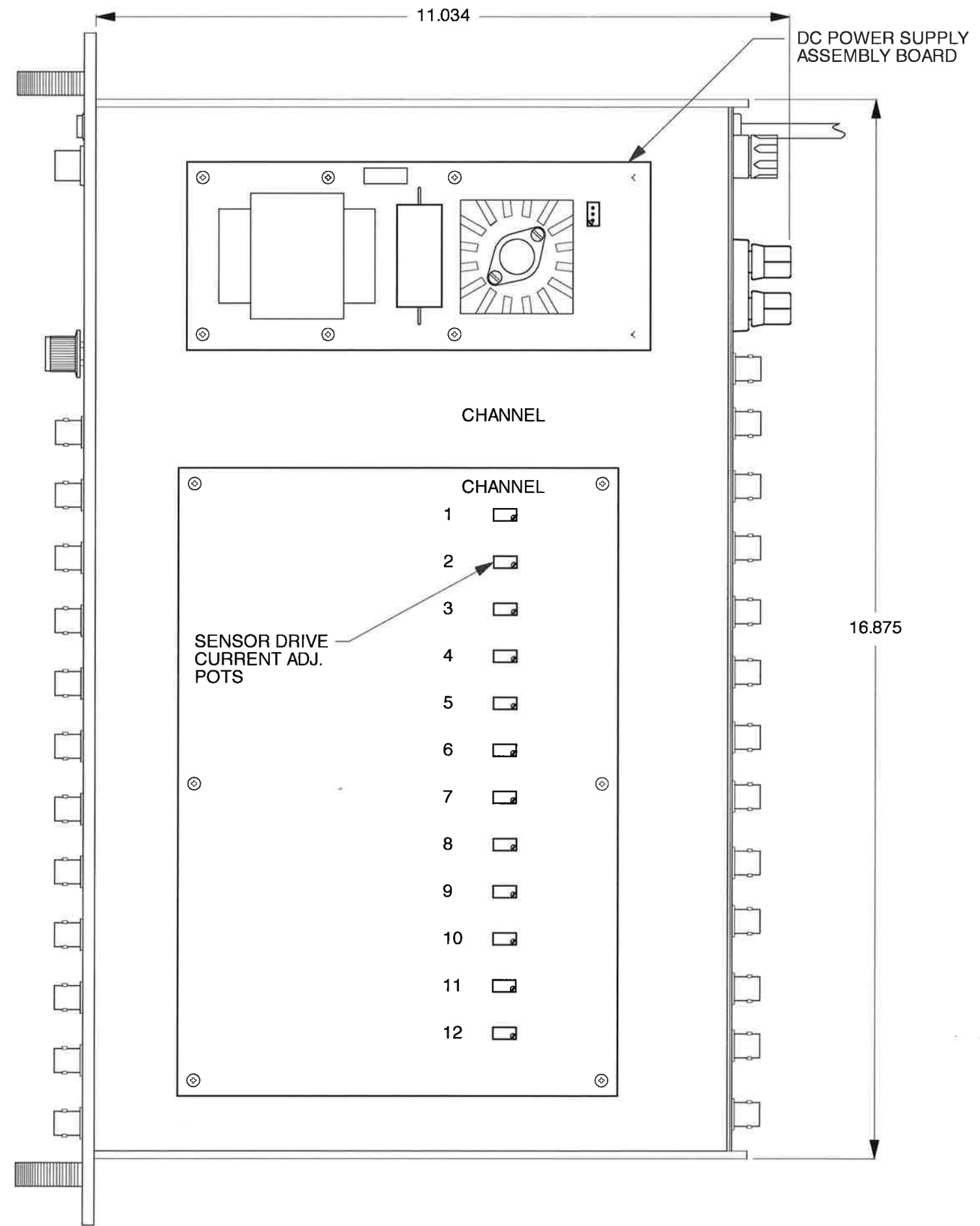
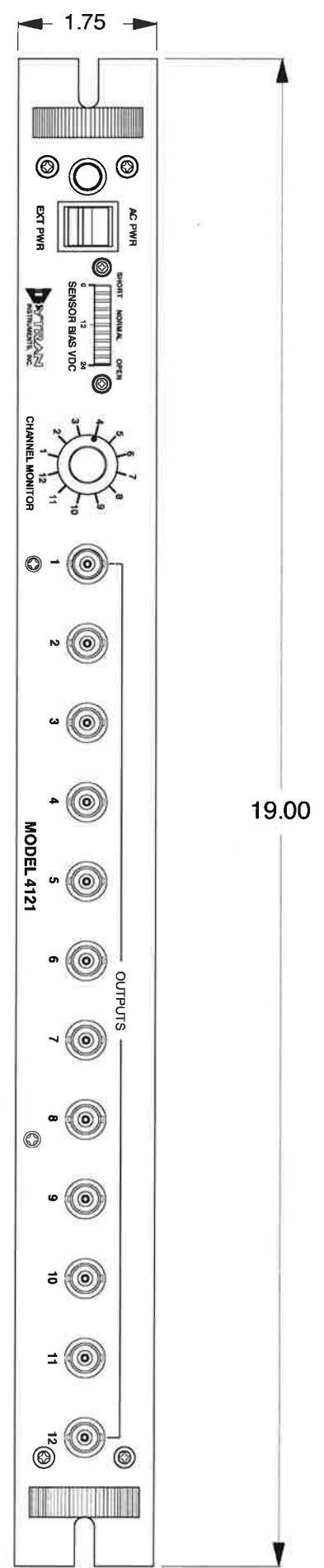


REV	ECN	DESCRIPTION	BY/DATE	CHK	APPR
B	7776	SENSOR WAS: INPUT	NC/8-12-11		



1. MODEL 4121 IS WIRED FOR 110 VAC. MODEL E4121 IS WIRED FOR 220VAC

ALL DIMENSIONS IN INCHES

DYTRAN		MASTER		CHATSWORTH, CA.	
INSTRUMENTS, INC.		ONLY IF IN RED			
SCALE	DESIGN	DATE			
0.5X	N.C.	5/19/00			
DRAWN	DATE	PART NO.			
N.C.	5/19/00	4121 & E4121			
CHECKED	DATE	MAT'L			REV
	4/5/18				B
APPROVED	DATE	NEXT ASSEMBLY	USED ON		
	4/5/18		4121 & E4121		
TITLE					DWG NO.
OUTLINE/INSTALLATION DRAWING, 12-CHANNEL LIVM POWER UNIT, MODEL 4121					127-4121
					SHEET 1 OF 1

Model Number 4121	PERFORMANCE SPECIFICATIONS	DOC NO PS4121
----------------------	-----------------------------------	------------------

Current Source Power Unit		REV A, ECN 13446, 05/08/17
---------------------------	--	----------------------------

- POWERS UP TO 12 CHANNELS OF IEPE SENSORS
- SUPPLIES 2 TO 20mA OF CONSTANT CURRENT PER CHANNEL



PHYSICAL

	ENGLISH		SI	
Weight, Max	2.3	lb.	1043	grams
Size (Height x Width x Depth)	19.0 x 1.8 x 12.3	in	483 x 45.7 x 312	mm
Number of Sensor Channels	12		12	
Front Panel LED Voltmeter F.S.	+24	VDC	+24	VDC
Sensor Connectors, Qty. 12	BNC Jack		BNC Jack	
Output Connectors, Qty. 24	BNC Jack		BNC Jack	
Output Coupling Capacitor	10	μF	10	μF
Power Cord, 3-Wire, with Ground	6	FT	1.8	m

PERFORMANCE

Voltage Gain	1		1	
Coupling Time Constant	100	Sec	100	Sec
	10	Sec	10	Sec
Lower -3db Frequency	0.0016	Hz	0.0016	Hz
	0.016	Hz	0.016	Hz
High Frequency Response	[1]		[1]	
Background Electrical Noise	150	μV, RMS	150	μV, RMS
Temperature Range	0 to +185	°F	-18 to +85	°C

ELECTRICAL

Power Required	13	VA	13	VA
Line Voltage Required	[3]	VAC	[3]	VAC
Sensor Supply Current, Adjustable [2]	2 to 20	mA	2 to 20	mA
Compliance (Supply) Voltage	+24	VDC	+24	VDC

This family also includes:

Model	Sensitivity (mV/g)	Frequency Response (Hz)	Time Constant (Sec)	Operating Temp (°F)

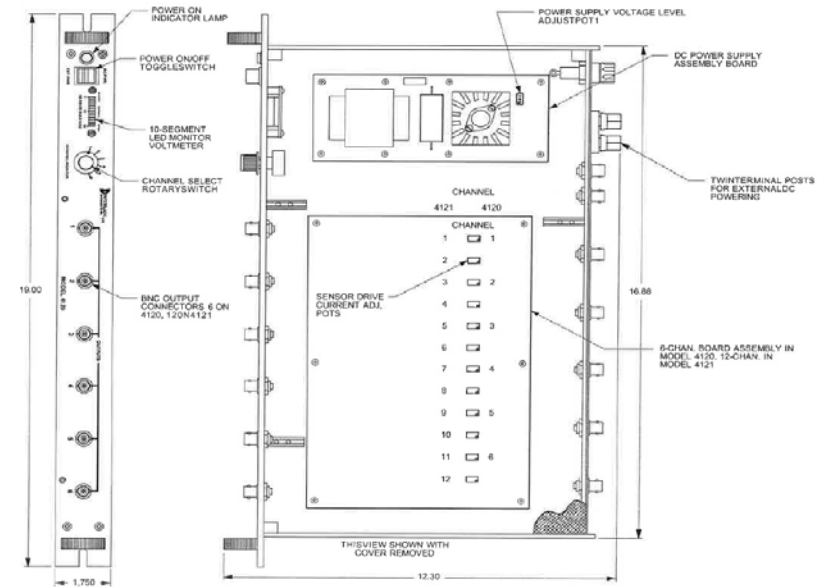
Refer to the performance specifications of the products in this family for detailed description

Supplied Accessories:

- 1) Accredited calibration certificate (ISO 17025)

Notes:

- [1] Determined by sensor and cable length.
- [2] Factory set at 5mA.
- [3] 115 VAC, 50-60 Hz for standard models. Export "E" versions require 230 VAC, 50-60Hz.



Units on the line drawing are in inches, units in brackets are in millimeters. Refer to 127-4120 for more information.



21592 Marilla Street, Chatsworth, California 91311 Phone: 818.700.7818 Fax: 818.700.7880 www.dytran.com
For permission to reprint this content, please contact info@dytran.com