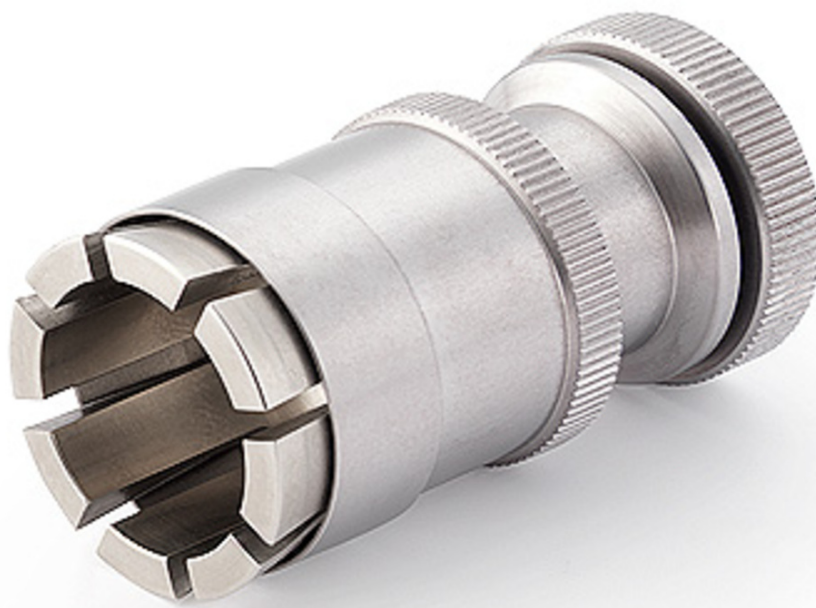


GRAS RA0302

Removal Tool for 1/2" and 1/4" Flush-mount Microphones



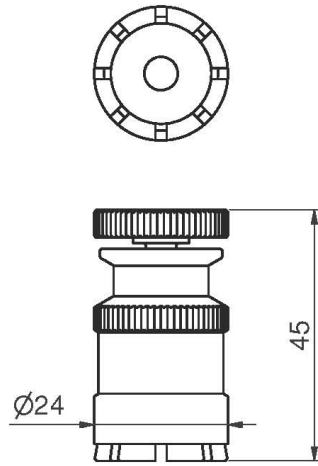
Material: Stainless steel

GRAS RA0302 is a removal tool for 1/2" and 1/4" flush-mount microphones.

Once mounted, a flush-mount microphone can be difficult to remove. The GRAS RA0302 Removal Tool for GRAS 1/2" and 1/4" flush-mount microphones makes it safe to remove the microphone without damage to structure, microphone housing or cable.

| | | |
|----------|--------|-----------------|
| Material | | Stainless steel |
| Weight | g / oz | 78 / 2.75 |

Dimensions in mm



GRAS Worldwide

Subsidiaries and distributors in more
than 40 countries

HEAD OFFICE, DENMARK GRAS SOUND & VIBRATION

Skovlytoften 33
2840 Holte
Denmark
Tel: +45 4566 4046
www.grasacoustics.com
gras@grasacoustics.com

USA GRAS SOUND & VIBRATION

5750 S.W. Arctic Drive
Beaverton, OR 97005
Tel: 503-627-0832
Toll Free: 800-231-7350
www.grasacoustics.com
sales-usa@grasacoustics.com

CHINA GRAS SOUND & VIBRATION

Room 303, Building T6
Hongqiaohui, 990, Shenchang Road
Minhang District, Shanghai
China, 201106
Tel: +86 21 64203370
www.gras.com.cn
cnsales@grasacoustics.com



ABOUT GRAS SOUND & VIBRATION

GRAS is a worldwide leader in the sound and vibration industry. We develop and manufacture state-of-the-art measurement microphones to industries where acoustic measuring accuracy and repeatability is of utmost importance in R&D, QA and production. This includes applications and solutions for customers within the fields of aerospace, automotive, audiology, and consumer electronics. GRAS microphones are designed to live up to the high quality, durability and accuracy that our customers have come to expect and trust.

GRAS Sound & Vibration