

GRAS 40AM

1/2" Prepolarized Free-Field Microphone, Wide Frequency



Freq range: 3.15 Hz to 31.5 kHz
Dyn range: 20 dB(A) to 163 dB
Sensitivity: 14.5 mV/Pa

The 40AM is an IEC 61094 WS2F classified 1/2" prepolarized free-field, wide-frequency microphone with rear-venting. The externally polarized equivalent is [GRAS 40AC](#).

Introduction

GRAS 40AM is a high-precision electret condenser microphone made according to IEC 61094-4 requirements. The electret technology for microphones was introduced in the beginning of the 1960's and has been continuously improved over the years. At GRAS, we have developed and refined our own techniques. This guarantees that our prepolarized microphones are as stable and robust as our traditional, externally polarized versions in daily use scenarios.

The 40AM's design is based on the original reference 1/2" externally polarized pressure microphone, but is optimized for free-field measurements. This results in a doubling of the upper 3 dB frequency limit. All other parameters remain unchanged, making 40AM the perfect free-field complement to the [GRAS 40AO 1/2" Prepolarized Pressure Microphone](#).

40AM is individually factory-calibrated and delivered with a calibration chart stating its specific open-circuit sensitivity, pressure, and corrected free-field frequency responses.

Typical applications and use

The compact design and low sensitivity make 40AM very robust and stable. This, combined with its wide frequency range, makes it an all-round free-field microphone suitable for both field-work and laboratory measurements.

Compatibility

The 40AM requires a standardized 1/2" or 1/4" CCP preamplifier and an input module that supports this technology with a BNC, SMB, or Microdot connector.

System verification

For daily verification and check of your measurement setup, we recommend using a calibrator like [GRAS 42AG Multifunction Sound Level](#)

Calibrator.

For proper sensitivity calibration, we recommend using a pistonphone like [GRAS 42AP Intelligent Pistonphone](#).

Calibration

When leaving the factory, all GRAS microphones have been calibrated in a controlled laboratory environment using traceable calibration equipment. Depending on the use, measurement environment and internal quality control programs we recommend that the microphone is recalibrated at least once a year.

We offer two kinds of calibration as an optional after-sales service: GRAS Traceable Calibration and GRAS Accredited Calibration.

GRAS Traceable Calibration is a traceable calibration performed by trained personnel under controlled conditions according to established procedures and standards. This is identical to the rigorous calibration that all GRAS microphones are subjected to as an integral part of our quality assurance.

GRAS Accredited Calibration is performed by the GRAS Accredited Calibration Laboratory that has been accredited in accordance with ISO 17025 by DANAK, the Danish Accreditation Fund.

If you want a new microphone set delivered with an accredited calibration in stead of the default factory calibration, specify this when ordering.

Learn more at [gras/calib](https://www.gras.com/calib).

Quality and warranty

All GRAS microphones are made of high-quality materials that will ensure life-long stability and robustness. The microphones are all assembled in verified clean-room environments by skilled and

dedicated operators with many years of expertise in this field.

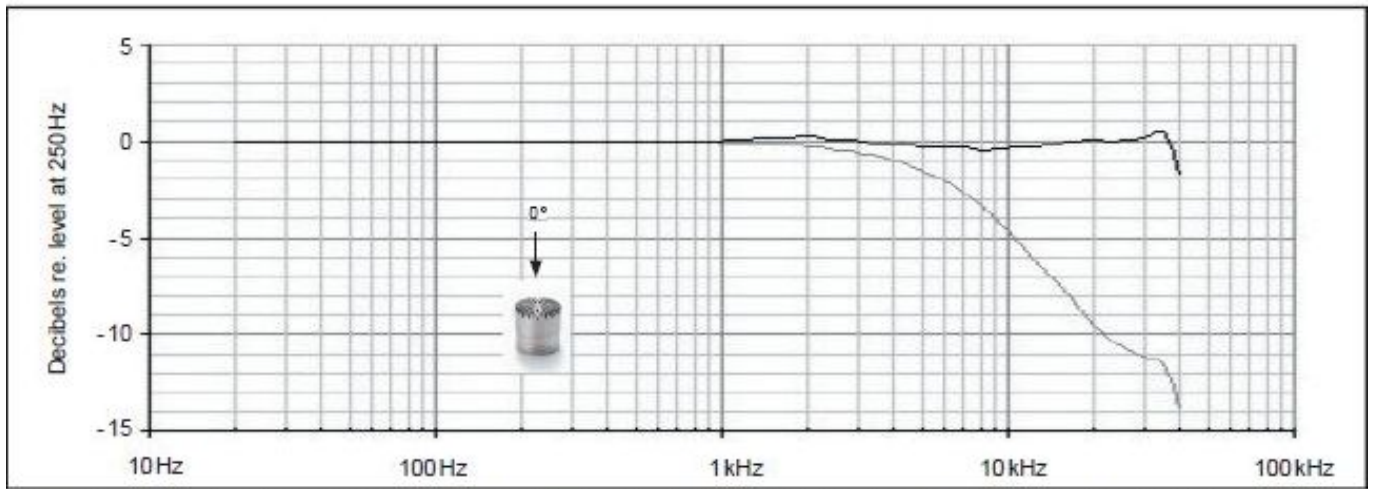
The microphone diaphragm, body, and improved protection grid are made of high-grade stainless steel, which makes the microphone resistant to physical damage, as well as corrosion caused by aggressive air or gasses.

This, combined with the reinforced gold-plated microphone terminal which guarantees a highly reliable connection, enables GRAS to offer 5 years warranty against defective materials and workmanship.

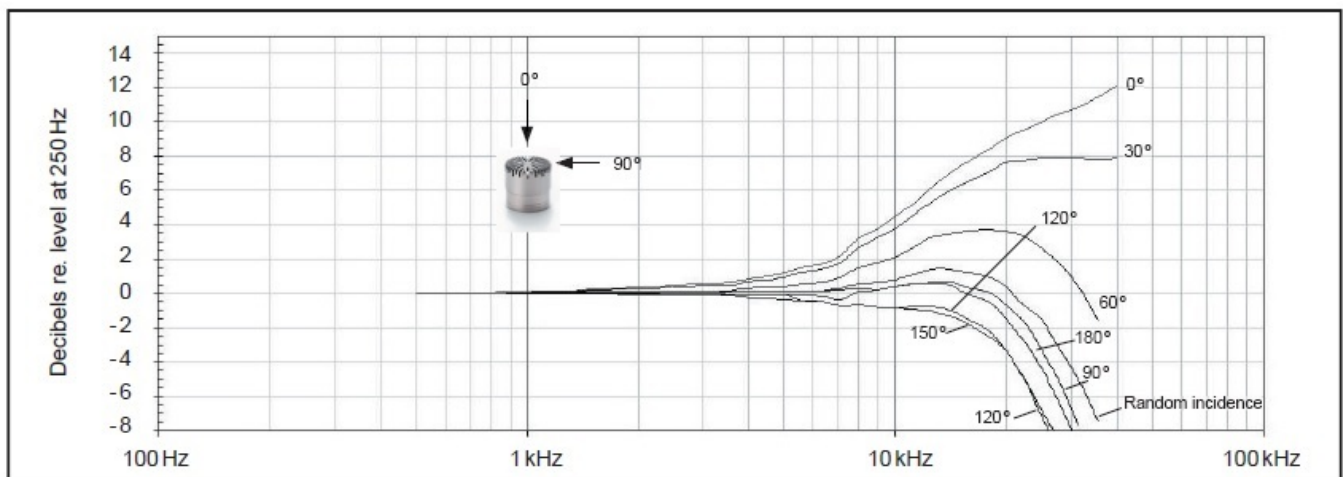
Service

If you accidentally damage the diaphragm on a GRAS microphone, we can—in most cases—replace it at a very reasonable cost and with a short turn-around time. This not only protects your investment, but also pleases your quality assurance department because you don't have to worry about new serial numbers, etc.

Polarization/Connection		0 V / CCP
Frequency range (± 1 dB)	Hz	5 to 16 k
Frequency range (± 2 dB)	Hz	3.15 to 31.5 k
Frequency range (± 3 dB)	Hz	3.15 to 40 k
Dynamic range lower limit (microphone thermal noise)	dB(A)	20
Dynamic range lower limit with GRAS preamplifier	dB(A)	25
Dynamic range upper limit	dB	163
Dynamic range upper limit with GRAS preamplifier @ +28 V / ± 14 V power supply	dB	152
Dynamic range upper limit with GRAS preamplifier @ +120 V / ± 60 V power supply	dB	163
Dynamic range upper limit with GRAS CCP preamplifier	dB	149
Open-circuit sensitivity @ 250 Hz (± 2 dB)	mV/Pa	14.5
Open-circuit sensitivity @ 250 Hz (± 2 dB)	dB re 1V/Pa	-37
Resonance frequency	kHz	32
Microphone cartridge capacitance, typ.	pF	17
Microphone venting		Rear
IEC 61094-4 Designation		WS2F
Temperature range, operation	$^{\circ}\text{C} / ^{\circ}\text{F}$	-40 to 120 / -40 to 248
Temperature range, storage	$^{\circ}\text{C} / ^{\circ}\text{F}$	-40 to 85 / -40 to 185
Temperature coefficient @250 Hz	dB/ $^{\circ}\text{C}$ / dB/ $^{\circ}\text{F}$	-0.01 / -0.006
Static pressure coefficient @250 Hz	dB/kPa	-0.014
Humidity range non condensing	% RH	0 to 90
Humidity coefficient @250 Hz	dB/% RH	-0.001
Influence of axial vibration @1 m/s ²	dB re 20 μPa	66
CE/RoHS compliant/WEEE registered		Yes / Yes, Yes
Weight	g / oz	6.5 / 0.229



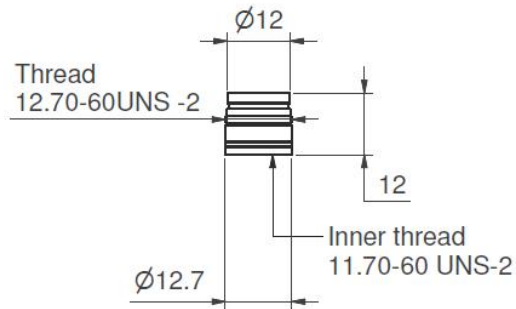
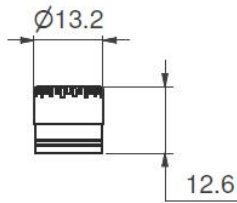
Typical frequency response. Upper curve shows free-field response for 0°, lower curve shows pressure response.



Free-field corrections for different angles of incidence

GRAS Sound & Vibration reserves the right to change specifications without notice.

Dimensions in mm



GRAS CA0001	Traceable Calibration of Microphone
GRAS CA2001	Accredited Calibration of Microphone

GRAS Sound & Vibration reserves the right to change accessories without notice.

GRAS Worldwide

Subsidiaries and distributors in more
than 40 countries

HEAD OFFICE, DENMARK GRAS SOUND & VIBRATION

Skovlytoften 33
2840 Holte
Denmark
Tel: +45 4566 4046
www.grasacoustics.com
gras@grasacoustics.com

USA GRAS SOUND & VIBRATION

5750 S.W. Arctic Drive
Beaverton, OR 97005
Tel: 503-627-0832
Toll Free: 800-231-7350
www.grasacoustics.com
sales-usa@grasacoustics.com

CHINA GRAS SOUND & VIBRATION

Room 303, Building T6
Hongqiaohui, 990, Shenchang Road
Minhang District, Shanghai
China, 201106
Tel: +86 21 64203370
www.gras.com.cn
cnsales@grasacoustics.com



ABOUT GRAS SOUND & VIBRATION

GRAS is a worldwide leader in the sound and vibration industry. We develop and manufacture state-of-the-art measurement microphones to industries where acoustic measuring accuracy and repeatability is of utmost importance in R&D, QA and production. This includes applications and solutions for customers within the fields of aerospace, automotive, audiology, and consumer electronics. GRAS microphones are designed to live up to the high quality, durability and accuracy that our customers have come to expect and trust.

GRAS Sound & Vibration