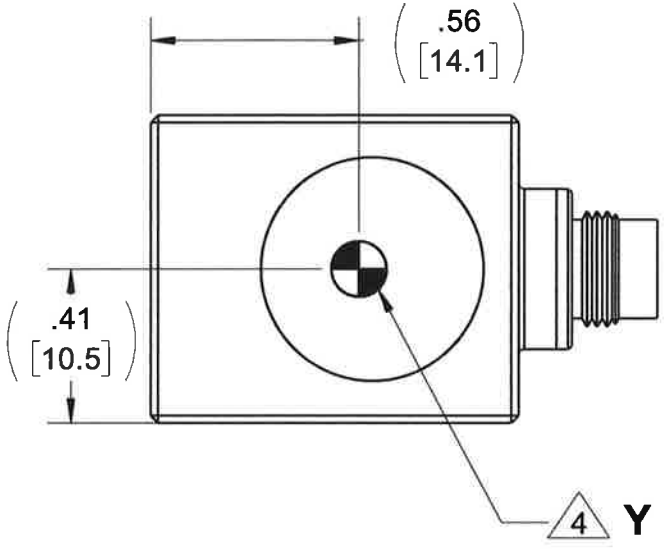
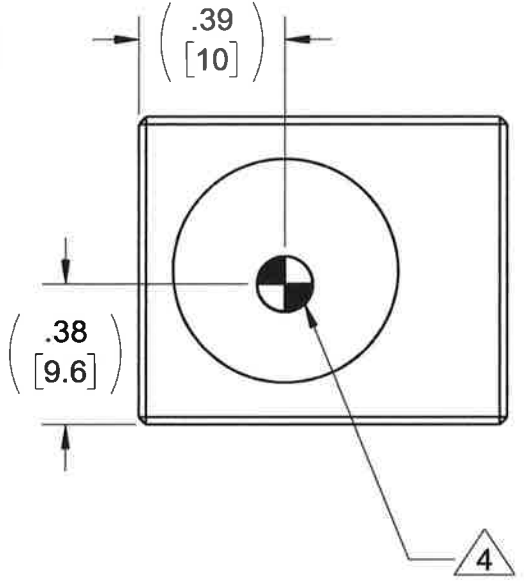
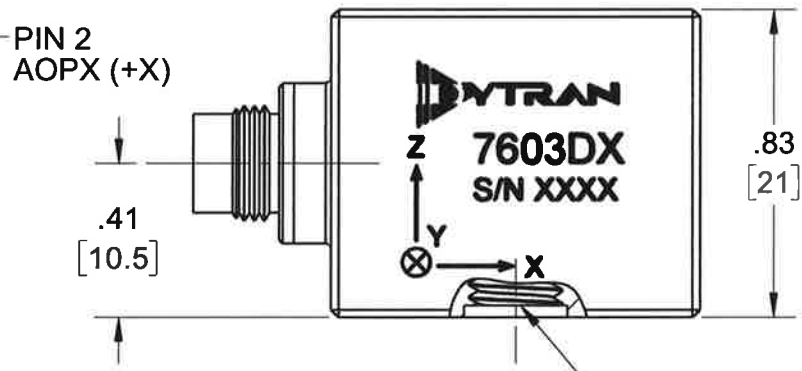
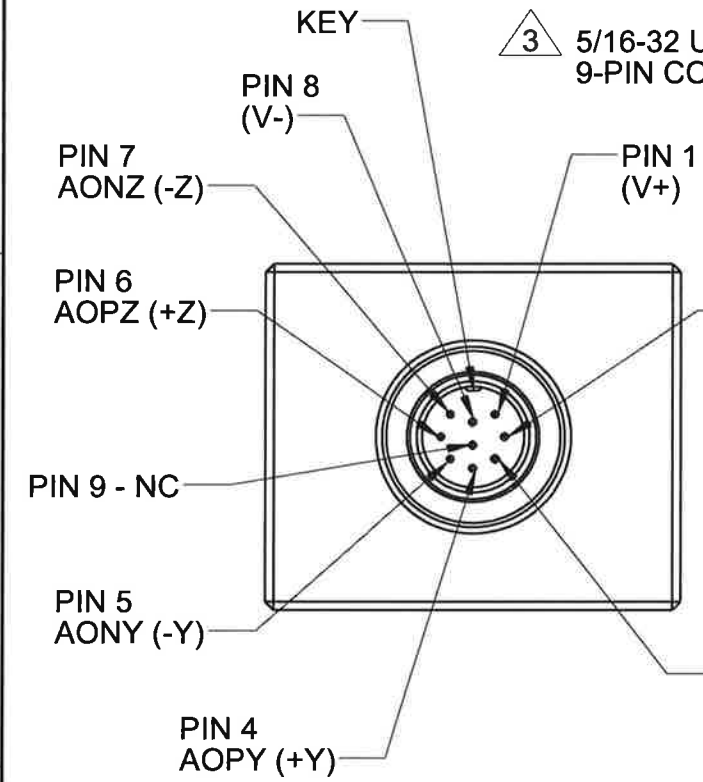
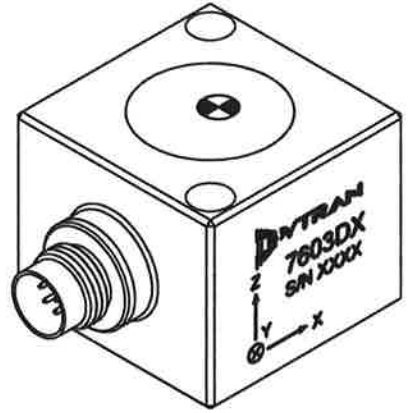
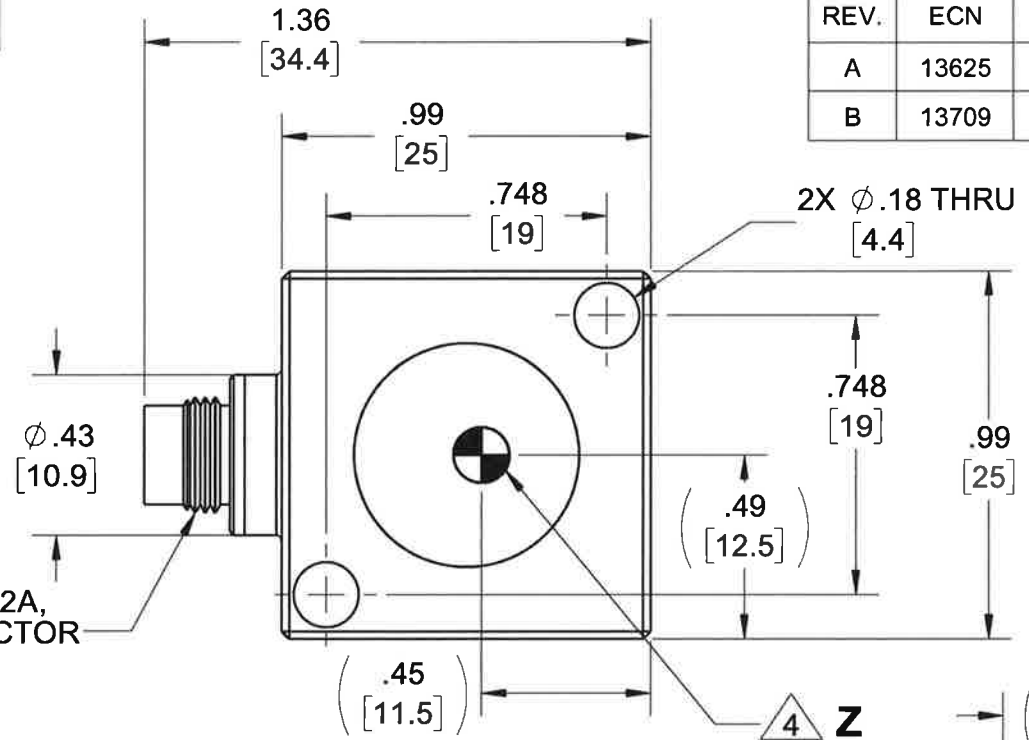


PROPRIETARY AND CONFIDENTIAL

THE INFORMATION CONTAINED IN THIS DRAWING IS THE SOLE PROPERTY OF DYTRAN INSTRUMENTS INC. ANY REPRODUCTION IN PART OR AS A WHOLE WITHOUT THE WRITTEN PERMISSION OF DYTRAN INSTRUMENTS INC. IS PROHIBITED

REVISIONS					
REV.	ECN	DESCRIPTION	BY/DATE	CHK	APPR
A	13625	INITIAL RELEASE. REVISED PIN OUT.	NDC 08/03/17	LN	AS
B	13709	69034A16 WAS: 6753A1	RA, 09/07/17	MJ	LW

MODEL	INPUT RANGE
7603D1	±2g
7603D2	±5g
7603D3	±10g
7603D4	±25g
7603D5	±50g
7603D6	±100g
7603D7	±200g
7603D8	±400g



5. MINOR VOIDS, SCARS, SCRATCHES AND MOUNTING BLEMISH/WITNESS MARKS ON EXTERIOR SURFACES ARE ALLOWED DUE TO RESTRAINING AND HANDLING DURING TESTING, TRANSPORT OR PROCESSING. THESE APPEAR AS INDICATORS THAT DO NOT AFFECT FORM, FIT OR FUNCTION AS INTENDED BY DESIGN OR APPLICATION

4 MARKING DENOTES LOCATION OF SENSING ELEMENT'S CENTER OF MASS

3 MATES WITH DYTRAN 6964AXX CABLE (XX DENOTES LENGTH IN FT)

2. WEIGHT: 38 GRAMS, MAX.

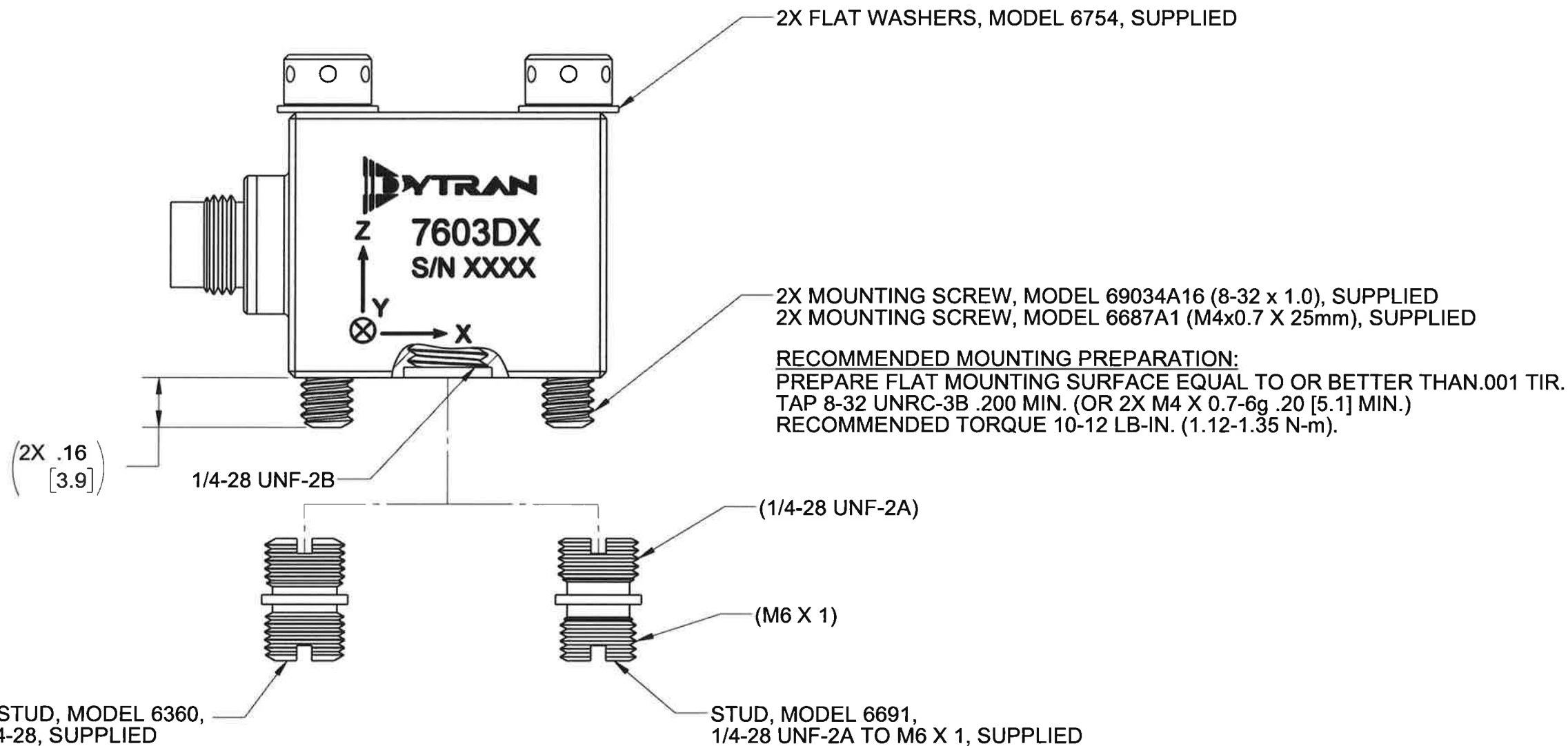
1. MATERIAL: TITANIUM ALLOY.

NOTES: UNLESS OTHERWISE SPECIFIED

UNLESS OTHERWISE SPECIFIED: INTERPRET DIM & TOL PER ASME Y14.5M - 1994. REMOVE BURRS. COUNTERSINK INTERNAL THDS 90° TO MAJOR DIA. CHAM EXT THDS 45° TO MINOR DIA. THD LENGTHS AND DEPTHS ARE FOR MIN FULL THDS. DIMENSIONS APPLY AFTER FINISHING.		UNLESS OTHERWISE SPECIFIED: DIMENSIONS ARE IN INCHES. DIMENSIONS IN BRACKETS [ ] ARE IN MILLIMETERS TOLERANCES ARE:															
DECIMALS .XX ±.03 .XXX ±.010	METRIC .X ± 0.8 .XX ± 0.25	ANGLES ±1°		<table border="1"> <tr><th colspan="2">APPROVALS</th><th>DATE</th></tr> <tr><td>ORIG</td><td>NDC</td><td>08/03/17</td></tr> <tr><td>CHK</td><td>LN</td><td>08/16/17</td></tr> <tr><td>APP</td><td>AS</td><td>08/16/17</td></tr> </table>		APPROVALS		DATE	ORIG	NDC	08/03/17	CHK	LN	08/16/17	APP	AS	08/16/17
APPROVALS		DATE															
ORIG	NDC	08/03/17															
CHK	LN	08/16/17															
APP	AS	08/16/17															
ALL MACHINED SURFACES. TOTAL RUNOUT WITHIN .005. BREAK SHARP EDGES .005 TO .010. MACHINED FILLET RADII .005 TO .015. WELDING SYMBOLS PER AWS A2.4. ABBREVIATIONS PER MIL-STD-12.		THIRD ANGLE PROJECTION USA		<table border="1"> <tr><th colspan="2">TITLE:</th></tr> <tr><td colspan="2">OUTLINE/INSTALLATION DWG, TRIAxIAL DC ACCELEROMETER, 7603D SERIES</td></tr> <tr><td>SIZE B</td><td>CAGE CODE 2W033</td></tr> <tr><td>DWG NO 127-7603D</td><td>REV B</td></tr> </table>		TITLE:		OUTLINE/INSTALLATION DWG, TRIAxIAL DC ACCELEROMETER, 7603D SERIES		SIZE B	CAGE CODE 2W033	DWG NO 127-7603D	REV B				
TITLE:																	
OUTLINE/INSTALLATION DWG, TRIAxIAL DC ACCELEROMETER, 7603D SERIES																	
SIZE B	CAGE CODE 2W033																
DWG NO 127-7603D	REV B																
DO NOT SCALE DRAWING		SCALE: 1:1		SHEET 1 OF 2													

PROPRIETARY AND CONFIDENTIAL

THE INFORMATION CONTAINED IN THIS DRAWING IS THE SOLE PROPERTY OF DYTRAN INSTRUMENTS INC. ANY REPRODUCTION IN PART OR AS A WHOLE WITHOUT THE WRITTEN PERMISSION OF DYTRAN INSTRUMENTS INC. IS PROHIBITED



RECOMMENDED MOUNTING PREPARATION: MODEL 6366  
PREPARE MOUNTING SURFACE,  $\phi$  1.25 [31.2] MIN, FLAT TO .001 TIR.  
TAP 1/4-28 UNF-2B  $\nabla$  .200 [5.1] MIN. TORQUE TO 12-15 Lb-in.

RECOMMENDED MOUNTING PREPARATION: MODEL 6691  
PREPARE MOUNTING SURFACE,  $\phi$  1.25 [31.2] MIN, FLAT TO .001 TIR.  
TAP M6 X 1  $\nabla$  .200 [5.1] MIN. TORQUE TO 12-15 Lb-in.



TITLE: OUTLINE/INSTALLATION DWG, TRIAXIAL DC ACCELEROMETER, 7603D SERIES

SIZE <b>B</b>	CAGE CODE <b>2W033</b>	DWG NO <b>127-7603D</b>	REV <b>B</b>
------------------	---------------------------	----------------------------	-----------------

SCALE: 2:1 SHEET 2 OF 2

<b>Model Number</b> 7603D3	<b>PERFORMANCE SPECIFICATION</b>	<b>DOC NO</b> PS7603D3
<b>TRIAxIAL VARIABLE CAPACITANCE ACCELEROMETER</b>		REV E, ECN 14848, 02/05/19



- VARIABLE CAPACITANCE TECHNOLOGY
- DIFFERENTIAL MODE
- HERMETICALLY SEALED
- DC RESPONSE

**This family also includes:**

Model	Input Range (g)	Frequency Response, $\pm 3$ dB (Hz)	Sensitivity Differential, $\pm 5\%$ (mV/g)	Max.Shock (0.1ms)	Noise Differential ( $\mu\text{g}/\sqrt{\text{Hz}}$ )
7603D1	$\pm 2$	0-400	250	2000	7
7603D2	$\pm 5$	0-500	100	2000	12
7603D4	$\pm 25$	0-1400	20	5000	25
7603D5	$\pm 50$	0-2000	10	5000	50
7603D6	$\pm 100$	0-2500	5	5000	100
7603D7	$\pm 200$	0-3000	2.5	5000	200
7603D8	$\pm 400$	0-4000	1.25	5000	400

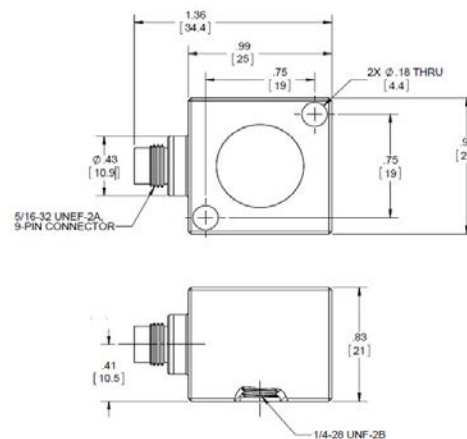
Refer to the performance specifications of the products in this family for detailed description.

**Supplied Accessories:**

- 1) Accredited calibration certificate (ISO 17025)
- 2) Mounting stud, Model 6360, 1/4-28 UNF-2A, Qty 1
- 3) Mounting stud, Model 6691, 1/4-28 UNF-2A to M6 X 1, Qty 1
- 4) Mounting screws, Model 69034A16, 8-32 x 1.0, Qty. 2
- 5) Mounting screws, Model 6687A1, M4x0.7 x 25mm, Qty. 2
- 6) Flat washers, Model 6754, Qty. 2

**Notes:**

- [1] Single ended sensitivity is half of values shown. (Ref. at 100 Hz)
- [2] -90% to +90% of Full Scale.
- [3] Over the rated temperature range.
- [4] Bias voltage equal to  $(+v - (-v)) / 2$
- [5] In the interest of constant product improvement, we reserve the right to change specifications without notice.
- [6] +6.0 to +22.0 VDC in single supply operation with V- grounded.



Units on the line drawing are in inches. Refer to 127-7603D for more information.

	ENGLISH		SI	
<b>PHYSICAL</b>				
Weight, Max	1.3	oz	38	grams
Connector	9-pin, 5/16-32 UNEF-2A	Type	9-pin, 5/16-32 UNEF-2A	
Material	Titanium Alloy		Titanium Alloy	
Sensing Technology	MEMS		MEMS	
<b>PERFORMANCE</b>				
Input Range	$\pm 10$	g	$\pm 98.1$	$\text{m/s}^2$
Frequency Response ( $\pm 5\%$ )	0 - 600	Hz	0 - 600	Hz
Frequency Response ( $\pm 3$ dB)	0 - 1000	Hz	0 - 1000	Hz
Resonant Frequency	>3000	Hz	>3000	Hz
Sensitivity Differential, $\pm 5\%$ [1]	50	mV/g	5	$\text{mV}/\text{m/s}^2$
Output Noise, Differential, Typ	18	$\mu\text{g rms}/\sqrt{\text{Hz}}$	177	$\mu\text{m/s}^2/\sqrt{\text{Hz}}$
Non-Linearity, Max [2]	0.5	% F.S	0.5	% F.S
Cross Axis Sensitivity, Max	3	%	3	%
<b>ENVIRONMENTAL</b>				
Maximum Mechanical Shock (0.1 ms)	$\pm 5000$	gpk	$\pm 49050$	$\text{m/s}^2$ peak
Bias Temperature Shift, Max [3]	111	(ppm of span)/ $^{\circ}\text{F}$	200	(ppm of span)/ $^{\circ}\text{C}$
Bias Calibration Error, Max	0.5	% of span	0.5	% of span
Operating Temperature Range	-67 to +257	$^{\circ}\text{F}$	-55 to +125	$^{\circ}\text{C}$
Seal	Hermetic		Hermetic	
<b>ELECTRICAL</b>				
Output Common Mode Voltage, $\pm$ VDC	[ 4 ]		[ 4 ]	
Output Impedance, Nom	1225	$\Omega$	1225	$\Omega$
Operating Voltage [6]	$\pm 3$ to $\pm 11$	VDC	$\pm 3$ to $\pm 11$	VDC
Operating Current (AOP & AON open), Max	35	mA Dc	35	mA Dc
Power Supply Rejection Ratio	>65	dB	>65	dB



21592 Marilla Street, Chatsworth, California 91311 Phone: 818.700.7818 Fax: 818.700.7880 www.dytran.com  
For permission to reprint this content, please contact info@dytran.com