

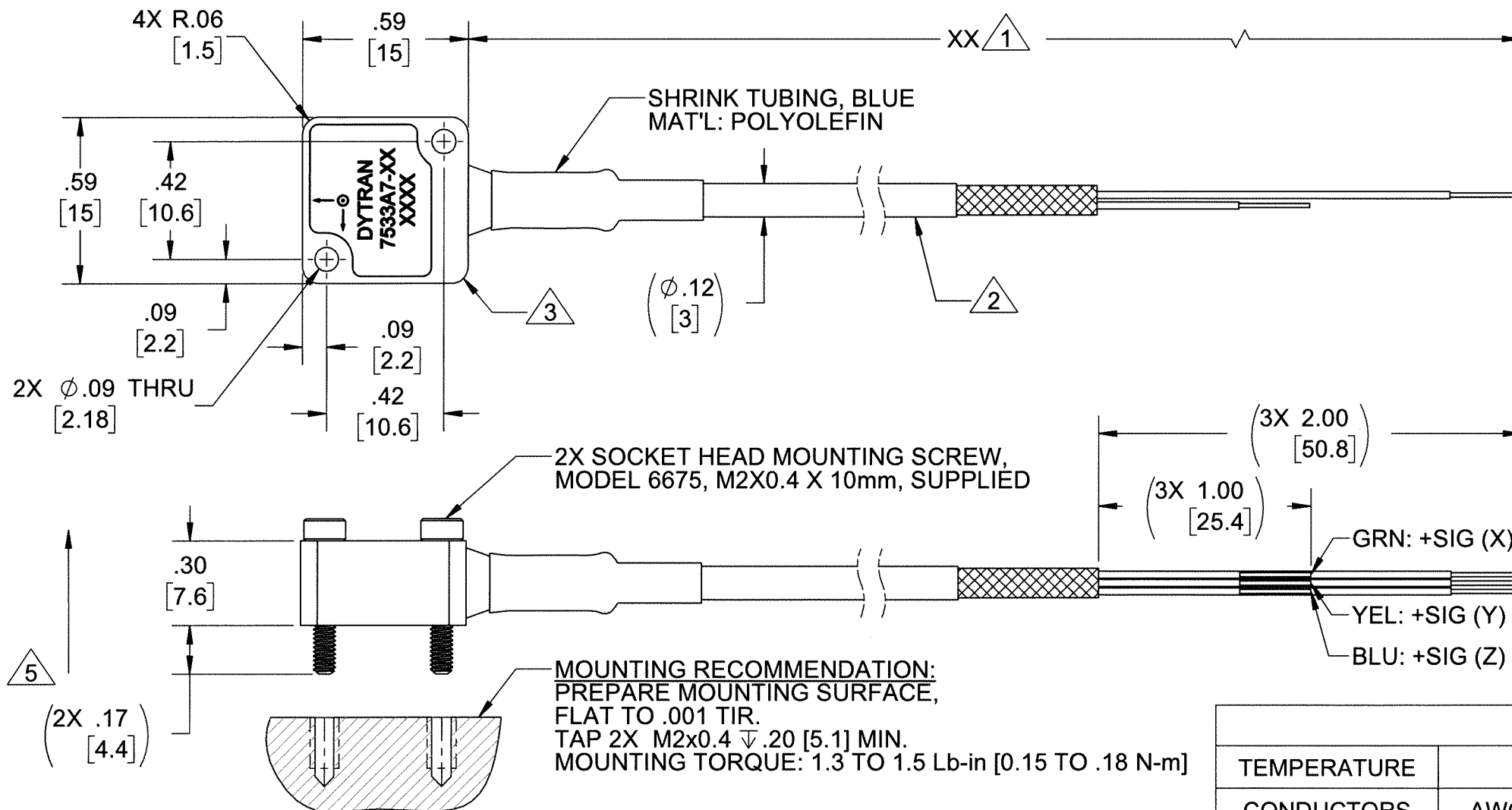
PROPRIETARY AND CONFIDENTIAL

THE INFORMATION CONTAINED IN THIS DRAWING IS THE SOLE PROPERTY OF DYTRAN INSTRUMENTS INC. ANY REPRODUCTION IN PART OR AS A WHOLE WITHOUT THE WRITTEN PERMISSION OF DYTRAN INSTRUMENTS INC. IS PROHIBITED

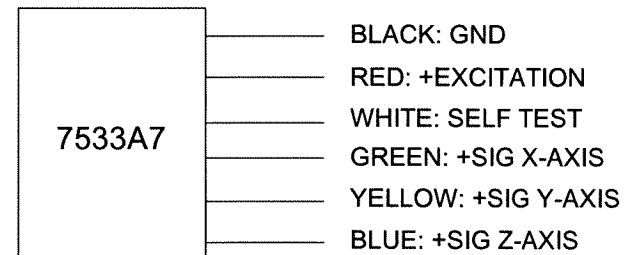
REVISIONS

REV.	ECN	DESCRIPTION	BY/DATE	CHK	APPR
A	15037	INITIAL RELEASE	KG 10/24/19	AK	W

MODEL	INPUT RANGE	SENSITIVITY
7533A7-XX	±40g	20 mV/g



1 CABLE LENGTH TOLERANCE			
ENGLISH		[METRIC]	
≤1FT	+1/ -0 IN	≤0.3m	+25mm -0mm
>1 FT - 5 FT	+2/ -0 IN	.0.3 m-1.5m	+50mm -0mm
> 5 FT - 10 FT	+4/ -0 IN	>1.5m-3m	+100mm -0mm
>10 FT - 25FT	+6 / -0 IN	>3m-7.5m	+150mm -0mm
>25 FT	+5% / -0%	>7.5m	+5%/ -0%



WIRING DIAGRAM

2 CABLE SPECIFICATIONS	
TEMPERATURE	-60°C TO 135°C
CONDUCTORS	AWG 30 - 7/38 TIN PLATED COPPER, SANTOPRENE .007 WALL
BRAID	40 AWG TIN PLATED COPPER BRAID, 90% COVERAGE
JACKET	BLACK, SANTOPRENE, .013 NOM. WALL, Ø.118 MAX

- 6. OPERATING TEMPERATURE: -40°F TO +257°F. (-40°C TO +125°C)
 - 5 ARROW INDICATE DIRECTION OF ACCELERATION FOR POSITIVE OUTPUT
 - 4. WEIGHT: 6.0 GRAMS, MAX. (LESS CABLE)
 - 3 HOUSING MATERIAL: ALUMINUM ALLOY, ANODIZED, COLOR: BLACK
 - 2 CABLE, 6- CONDUCTORS, 30AWG, SHIELDED, SANTOPRENE JACKET, COLOR: BLACK. SEE TABLE FOR SPECIFICATIONS.
 - 1 MODEL NUMBER: 7533A7-XX. "XX" DENOTES CABLE LENGTH IN FEET (MAXIMUM CABLE LENGTH 50 FT.). SEE TABLE FOR CABLE LENGTH TOLERANCE.
- NOTES: UNLESS OTHERWISE SPECIFIED

UNLESS OTHERWISE SPECIFIED: INTERPRET DIM & TOL PER ASME Y14.5M - 1994. REMOVE BURRS. COUNTERSINK INTERNAL THDS 90° TO MAJOR DIA. CHAM EXT THDS 45° TO MINOR DIA. THD LENGTHS AND DEPTHS ARE FOR MIN FULL THDS. DIMENSIONS APPLY AFTER FINISHING.		UNLESS OTHERWISE SPECIFIED: DIMENSIONS IN BRACKETS [] ARE IN MILLIMETERS TOLERANCES ARE: DECIMALS METRIC ANGLES .XX ±.03 .X ±.08 ±1° .XXX ±.010 .XX ±0.25		MASTER ONLY IF IN RED Chatsworth, CA	
APPROVALS		DATE		TITLE:	
ORIG	NDC	04/12/19		OUTLINE/INSTALLATION DWG, MODEL 7533A7-XX	
CHK		11/4/19			
APP		11/4/19			
DO NOT SCALE DRAWING		THIRD ANGLE PROJECTION	SIZE	CAGE CODE	DWG NO
			B	2W033	127-7533A7-XX
			SCALE: 2:1	REV	A
				SHEET 1 OF 1	

MODEL NUMBER 7533A7-XX	PERFORMANCE SPECIFICATIONS	DOC NO. PS7533A7-XX
	TRIAxIAL, DC ACCELEROMETER	REV A, ECN 15037, 10/25/19



- **LOW COST**
- **WIDE SUPPLY VOLTAGE RANGE**
- **LOW CURRENT CONSUMPTION**

PHYSICAL

Weight, Max. (less cable)
Mounting
Cable
Housing

Type
Material
Material
Isolation

ENGLISH		SI	
0.21	oz	6.0	grams
2X M2 Screws		2X M2 Screws	
6-conductor		6-conductor	
Santoprene		Santoprene	
Aluminum, Anodized		Aluminum, Anodized	
Case Isolated		Case Isolated	

PERFORMANCE

Sensitivity, ±10% [1]
Acceleration Range
Frequency Range, -3dB
Resonance Frequency
Linearity [2]
Transverse Sensitivity Max
Spectral Noise Density
Sensitivity Change Due to Temperature
Overload Recovery Time
Warm-Up Time

20	mV/g	2.0	mV/m/s ²
±40	Gpeak	±1962	m/s ² peak
0 to 1500	Hz	0 to 1500	Hz
>4.5	kHz	>4.5	kHz
<0.5	%F.S.	<0.5	%F.S.
5	%	5	%
200	µGrms/√Hz	1962	µm/s ² rms/√Hz
±0.008	%/°F	±0.01	%/°C
158	µsec	158	µsec
900	µsec	900	µsec

ELECTRICAL

Operating Current, Max.
Supply Voltage Range
Output Series Resistance
Output Bias Voltage
Self-Test Output [3]
Turn-On Time

Z-axis

250	µA	250	µA
4 to 28	VDC	4 to 28	VDC
32	kΩ	32	kΩ
0.8 to 1.0	VDC	0.8 to 1.0	VDC
+25	mV	+25	mV
<10	ms	<10	ms

ENVIRONMENTAL

Shock Max
Vibration Max
Operating Temperature
Seal
Magnetic Sensitivity @ 100 Gauss
Base Strain Sensitivity, Max

5,000	g pk	49050	m/s ²
1000	g pk	9810	m/s ²
-40 to +257	°F	-40 to +125	°C
Epoxy		Epoxy	
0.003	g/Gauss	0.003	g/Gauss
0.0008	g/µε	0.0008	g/µε

Model	Sensitivity (mV/g)	Range (Gpeak)	Noise(µGrms/sqr(Hz))	Oper. Temp(°F)
7533A1	420	±2	250	-40 to 185
7533A2	300	±3	175(x,y); 300(z)	-40 to 185
7533A3	174	±5	250	-40 to 185
7533A4	57	±16	300	-40 to 185
7533A5	6.5	±200	4300	-40 to 185

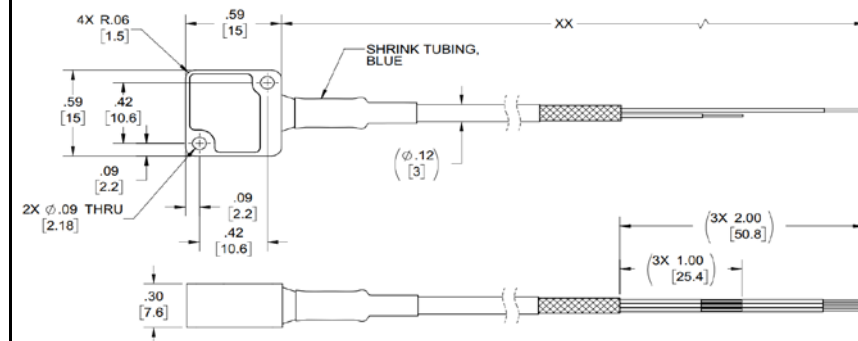
Refer to the performance specifications of the products in this family for detailed description

Supplied Accessories:

- 1) Accredited calibration certificate (ISO 17025)
- 2) Mounting Screw, Model 6675, M2x0.4 x 12mm, qty. 2

Notes:

- [1] Measured at 100 Hz, 5 Grms per ISA RP 37.2
- [2] Linearity is % of specified full scale (or any less full-scale range), zero-based best fit straight line method.
- [3] Refer to the Operating Guide for instructions on how to use Self-Test feature
- [4] In the interest of constant product improvement, we reserve the right to change specifications without notice. It is the customer's responsibility to validate that a particular product with the properties described in the product specification is suitable for use in a particular application. Parameters provided in datasheets and / or specifications may vary in different applications and performance may vary overtime. All operating parameters, including typical parameters, must be validated for each customer application by the customer's technical experts.



Units on the line drawing are in inches, units in brackets are in millimeters. Refer to 127-7533A7-XX for more information.



21592 Marilla Street, Chatsworth, California 91311 Phone: 818.700.7818 Fax:818.700.7880 www.dytran.com For permission to reprint this content, please contact info@dytran.com