

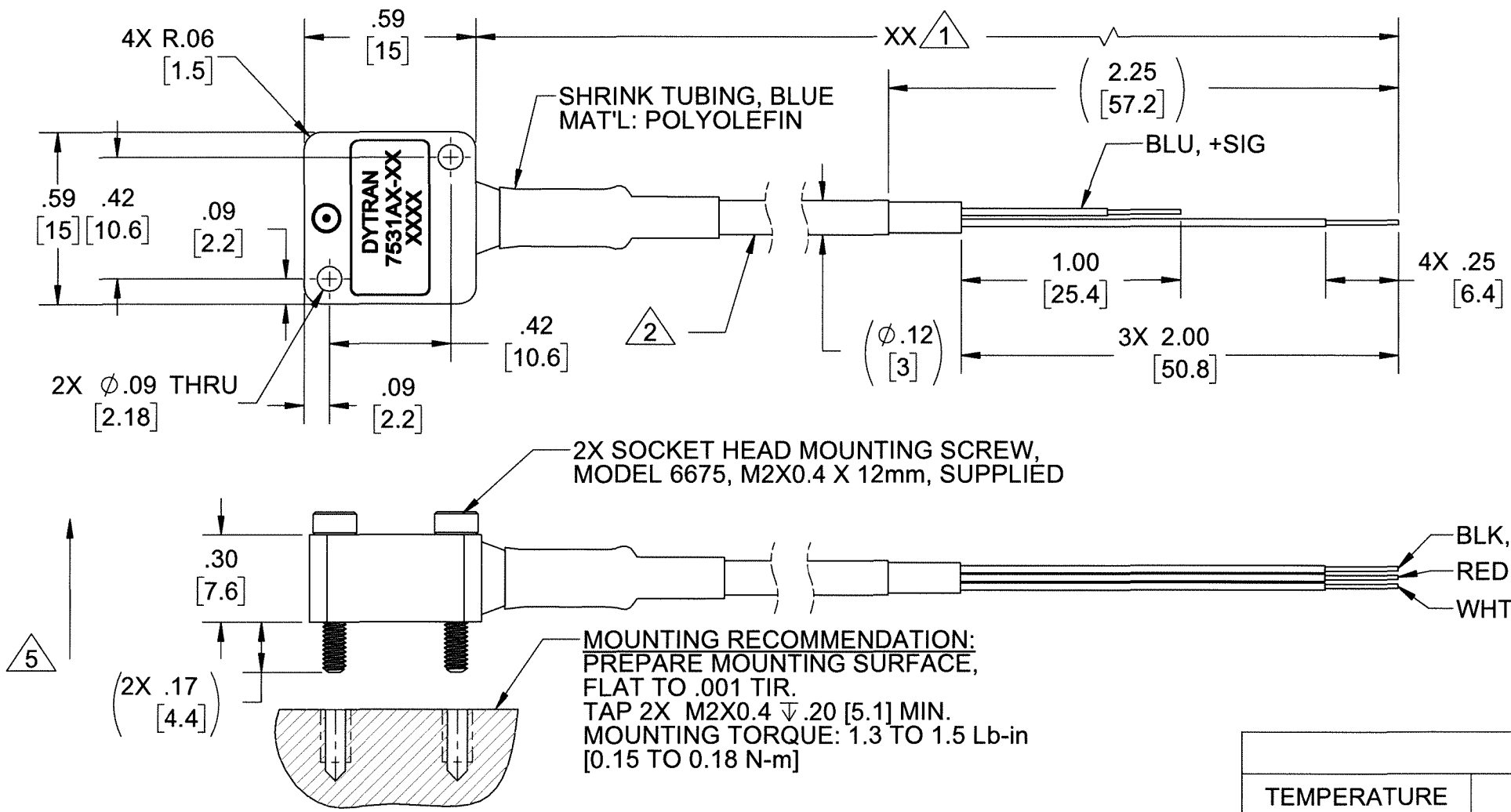
PROPRIETARY AND CONFIDENTIAL

THE INFORMATION CONTAINED IN THIS DRAWING IS THE SOLE PROPERTY OF DYTRAN INSTRUMENTS INC. ANY REPRODUCTION IN PART OR AS A WHOLE WITHOUT THE WRITTEN PERMISSION OF DYTRAN INSTRUMENTS INC. IS PROHIBITED

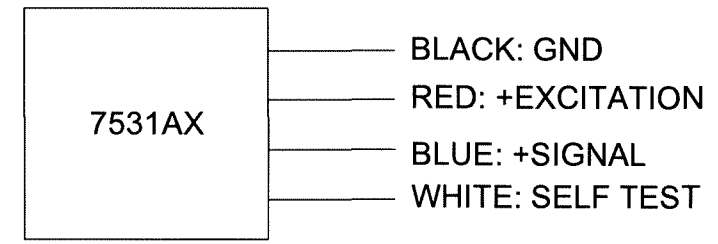
MODEL	INPUT RANGE	SENSITIVITY ($\pm 10\%$)
7531A1-XX	$\pm 2g$	420 mV/g
7531A2-XX	$\pm 3g$	300 mV/g
7531A3-XX	$\pm 5g$	174 mV/g
7531A4-XX	$\pm 16g$	57 mV/g
7531A5-XX	$\pm 200g$	6.5 mV/g

REVISIONS

REV.	ECN	DESCRIPTION	BY/DATE	CHK	APPR
C	13226	ADDED SENSING LOCATIONS, NOTE 7	RA, 01/17/17	MH	LN
D	13702	ADDED WIRING DIAGRAM	RA, 08/25/17	MH	LN
E	15400	REVISED CABLE ASSY	KG 11/11/19	AM	W



CABLE LENGTH TOLERANCE			
ENGLISH		[METRIC]	
≤ 1 FT	+1/ -0 IN	≤ 0.3 m	+25mm -0mm
>1 FT - 5 FT	+2/ -0 IN	.0.3 m-1.5m	+50mm -0mm
> 5 FT - 10 FT	+4/ -0 IN	>1.5m-3m	+100mm -0mm
>10 FT - 25FT	+6 / -0 IN	>3m-7.5m	+150mm -0mm
>25 FT	+5% / -0%	>7.5m	+5%/ -0%



CABLE SPECIFICATIONS	
TEMPERATURE	-55°C TO 120°C
CONDUCTORS	AWG 30 - 7/38 TIN PLATED COPPER, SANTOPRENE .007 WALL
BRAID	40 AWG TIN PLATED COPPER BRAID, 90% COVERAGE
JACKET	BLACK, SANTOPRENE, .013 NOM. WALL, ϕ .118 MAX

- 7 SYMBOL DENOTES REFERENCE LOCATION OF SENSING ELEMENT (UNIT NOT MARKED).
 - 6. OPERATING TEMPERATURE: -40°F TO +185°F. (-40°C TO +85°C)
 - 5 ARROW INDICATES DIRECTION OF ACCELERATION FOR POSITIVE OUTPUT
 - 4. WEGHT: 6.0 GRAMS, MAX. (LESS CABLE)
 - 3. MATERIAL: ALUMINUM ALLOY, ANODIZED, COLOR: BLACK
 - 2 CABLE, 6-CONDUCTORS, 30AWG, SHIELDED, SANTOPRENE JACKET, COLOR: BLACK. SEE TABLE FOR SPECIFICATIONS.
 - 1 MODEL NUMBER: 7531AX-XX. "XX" DENOTES CABLE LENGTH IN FEET (MAXIMUM CABLE LENGTH 50 FT.). SEE TABLE FOR CABLE LENGTH TOLERANCE.
- NOTES: UNLESS OTHERWISE SPECIFIED

UNLESS OTHERWISE SPECIFIED: INTERPRET DIM & TOL PER ASME Y14.5M - 1994. REMOVE BURRS. COUNTERSINK INTERNAL THDS 90° TO MAJOR DIA. CHAM EXT THDS 45° TO MINOR DIA. THD LENGTHS AND DEPTHS ARE FOR MIN FULL THDS. DIMENSIONS APPLY AFTER FINISHING.

UNLESS OTHERWISE SPECIFIED: DIMENSIONS ARE IN INCHES. DIMENSIONS IN BRACKETS [] ARE IN MILLIMETERS TOLERANCES ARE:

DECIMALS	METRIC	ANGLES
.XX \pm .03	.X \pm 0.8	$\pm 1^\circ$
.XXX \pm .010	.XX \pm 0.25	

APPROVALS: ORIG LN 07/03/13, CHK EP 02/19/16, APP LN 02/18/16

DATE: 07/03/13, 02/19/16, 02/18/16

DO NOT SCALE DRAWING

THIRD ANGLE PROJECTION USA

DYTRAN INSTRUMENTS, INC. Chatsworth, CA

MASTER ONLY IF IN RED

TITLE: OUTLINE/INSTALLATION DWG, 7531AX SERIES

SIZE B, CAGE CODE 2W033, DWG NO 127-7531A1-XX, REV E

SCALE: 2:1, SHEET 1 OF 2

PROPRIETARY AND CONFIDENTIAL

THE INFORMATION CONTAINED IN THIS DRAWING IS THE SOLE PROPERTY OF DYTRAN INSTRUMENTS INC. ANY REPRODUCTION IN PART OR AS A WHOLE WITHOUT THE WRITTEN PERMISSION OF DYTRAN INSTRUMENTS INC. IS PROHIBITED

D

D

C

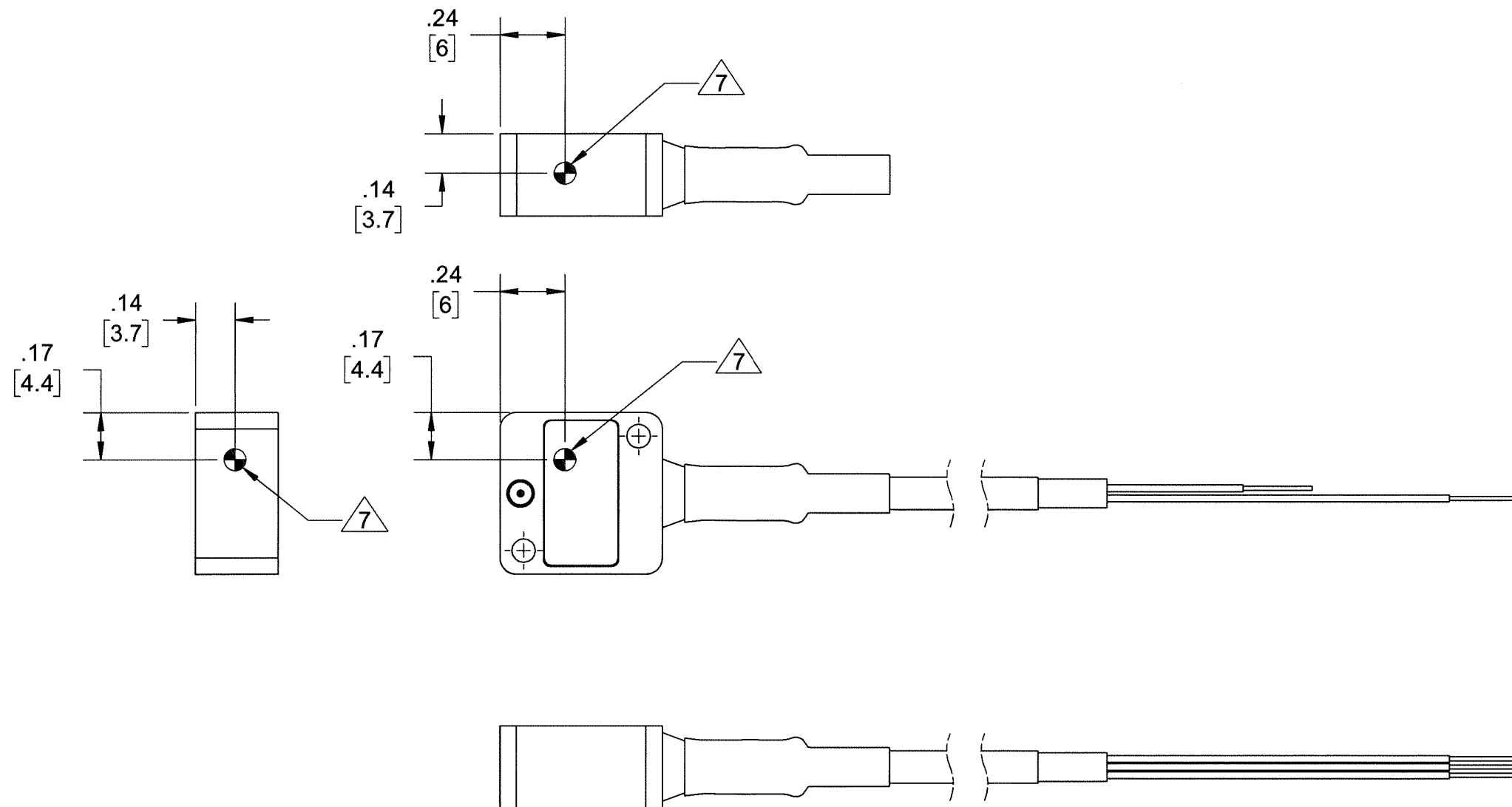
C

B

B

A

A



SENSOR LOCATIONS 

		Chatsworth, CA		MASTER ONLY IF IN RED	
TITLE: OUTLINE/INSTALLATION DWG, 7531AX SERIES					
SIZE B	CAGE CODE 2W033	DWG NO 127-7531A1-XX	REV E		
SCALE: 2:1	PART NO: 7531AX		SHEET 2 OF 2		

MODEL NUMBER 7531A4	PERFORMANCE SPECIFICATIONS	DOC NO. PS7531A4
SINGLE AXIS, DC ACCELEROMETER		REV C ECN 15400, 11/11/19



- **LOW COST**
- **WIDE SUPPLY VOLTAGE RANGE**
- **LOW CURRENT CONSUMPTION**

PHYSICAL

Weight, Max. (less cable)
Mounting
Cable
Housing

Type
Material
Isolation

ENGLISH		SI	
Weight, Max. (less cable)	0.21 oz	Weight, Max. (less cable)	6.0 grams
Mounting	2X M2 Screws	Mounting	2X M2 Screws
Cable	6-conductor	Cable	6-conductor
	Santoprene		Santoprene
Housing	Aluminum, Anodized	Housing	Aluminum, Anodized
	Case Isolated		Case Isolated

PERFORMANCE

Sensitivity, +/-10% [1]
Acceleration Range
Frequency Range, -3dB
Resonance Frequency
Linearity [2]
Transverse Sensitivity Max
Spectral Noise
Sensitivity Change Due to Temperature

Sensitivity, +/-10% [1]	57 mV/g	Sensitivity, +/-10% [1]	5.8 mV/m/s ²
Acceleration Range	±16 Gpeak	Acceleration Range	±157 m/s ² peak
Frequency Range, -3dB	0 to 1600 Hz	Frequency Range, -3dB	0 to 1600 Hz
Resonance Frequency	>5.5 kHz	Resonance Frequency	>5.5 kHz
Linearity [2]	±0.3 %F.S.	Linearity [2]	±0.3 %F.S.
Transverse Sensitivity Max	5 %	Transverse Sensitivity Max	5 %
Spectral Noise	300 µGrms/√Hz	Spectral Noise	2943 µm/s ² rms/√Hz
Sensitivity Change Due to Temperature	±0.006 %/°F	Sensitivity Change Due to Temperature	±0.01 %/°C

ELECTRICAL

Supply Current
Supply Voltage Range
Output Impedance, Typ.
Output Bias Voltage
Output Range
Self-Test Output [3]
Turn-On Time

Supply Current	350 µA	Supply Current	350 µA
Supply Voltage Range	4 to 28 VDC	Supply Voltage Range	4 to 28 VDC
Output Impedance, Typ.	100 Ω	Output Impedance, Typ.	100 Ω
Output Bias Voltage	1.35 to 1.65 VDC	Output Bias Voltage	1.35 to 1.65 VDC
Output Range	±1.0 VDC	Output Range	±1.0 VDC
Self-Test Output [3]	-29 to +114 mV	Self-Test Output [3]	-29 to +114 mV
Turn-On Time	1 ms	Turn-On Time	1 ms

ENVIRONMENTAL

Shock Max
Vibration Max
Operating Temperature
Seal

Shock Max	10,000 g pk	Shock Max	98100 m/s ²
Vibration Max	5000 g pk	Vibration Max	49050 m/s ²
Operating Temperature	-40 to +185 °F	Operating Temperature	-40 to +85 °C
Seal	Epoxy	Seal	Epoxy

Model	Sensitivity (mV/g)	Range (Gpeak)	Noise(µGrms/sqr(Hz))	Oper. Temp(°F)
7531A1	420	±2	250	-40 to 185
7531A2	300	±3	175	-40 to 185
7531A3	174	±5	250	-40 to 185
7531A5	6.5	±200	2700	-40 to 185

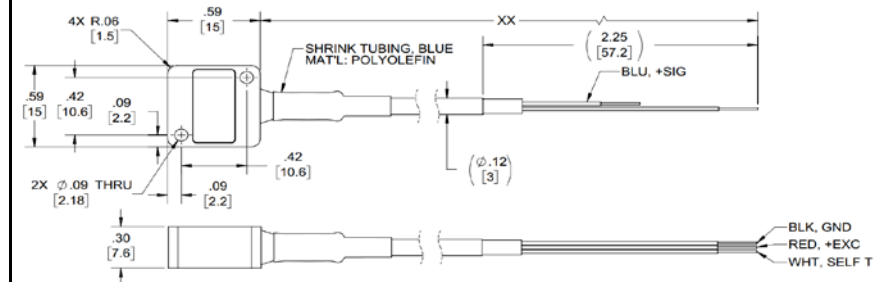
Please, refer to the performance specifications of the products in this family for detailed description

Supplied Accessories:

- 1) Accredited calibration certificate (ISO 17025)
- 2) Mounting Screw, Model 6675, M2x0.4 x 12mm, qty. 2

Notes:

- [1] Measured at 100 Hz, 5 Grms per ISA RP 37.2
- [2] Linearity is % of specified full scale (or any less full-scale range), zero-based best fit straight line method.
- [3] Refer to the Operating Guide for instructions on how to use Self-Test feature
- [4] In the interest of constant product improvement, we reserve the rights to change specifications without notice. It is the customer's responsibility to validate that a particular product with the properties described in the product specification is suitable for use in a particular application. Parameters provided in datasheets and / or specifications may vary in different applications and performance may vary overtime. All operating parameters, including typical parameters, must be validated for each customer application by the customer's technical experts.



Units on the line drawing are in inches, units in brackets are in millimeters. Refer to 127-7531A1-XX for more information.



21592 Marilla Street, Chatsworth, California 91311 Phone: 818.700.7818 Fax:818.700.7880 www.dytran.com For permission to reprint this content, please contact info@dytran.com