

4

3

2

1

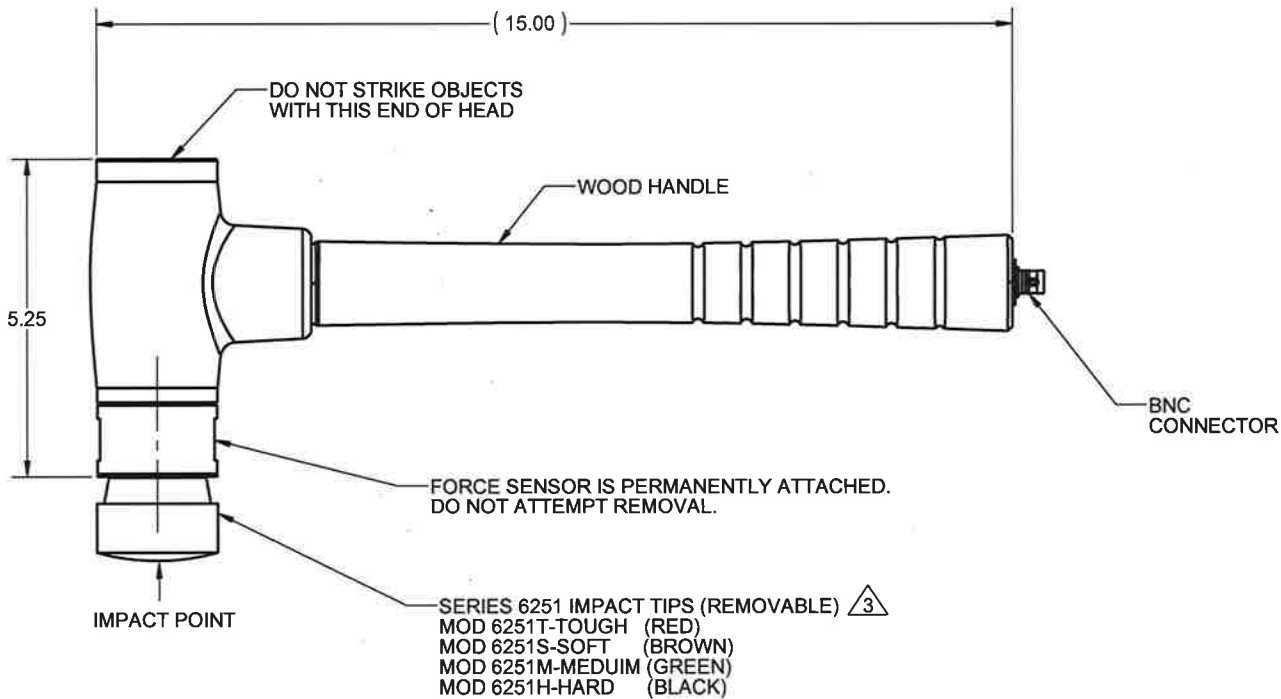
DWG NO 127-5802AT REV 1 REV B

PROPRIETARY AND CONFIDENTIAL

THE INFORMATION CONTAINED IN THIS DRAWING IS THE SOLE PROPERTY OF DYTRAN INSTRUMENTS INC. ANY REPRODUCTION IN PART OR AS A WHOLE WITHOUT THE WRITTEN PERMISSION OF DYTRAN INSTRUMENTS INC. IS PROHIBITED

REVISIONS

REV	ECN	DESCRIPTION	BY/DATE	CHK	APPR
A	5916	INITIAL RELEASE	RA, 07/01/09	EP	DV
B	14056	ADDED NOTE 4 OPERATING TEMP	RA, 03/07/18	MH	LN



4. OPERATING TEMP: -40°C TO +66°C (-40°F TO +151°F)

⚠ DO NOT USE WITHOUT IMPACT TIP!

2. SENSITIVITY: 1.0 MV/LB, NOMINAL CONSULT CALIBRATION CERTIFICATION FOR ACTUAL SENSITIVITY.

1. HEAD WEIGHT: APPROX. 3 LBS

NOTES: UNLESS OTHERWISE SPECIFIED

UNLESS OTHERWISE SPECIFIED:
 INTERPRET DIM & TOL PER
 ASME Y14.5M - 1994.
 REMOVE BURRS
 COUNTERSINK INTERNAL THDS
 90° TO MAJOR DIA.
 CHAM EXT THDS 45° TO MINOR DIA.
 THD LENGTHS AND DEPTHS ARE FOR
 MIN FULL THDS.
 DIMENSIONS APPLY AFTER FINISHING.

ALL MACHINED SURFACES.
 TOTAL RUNOUT WITHIN .005
 BREAK SHARP EDGES .005 TO .010.
 MACHINED FILLET RADII .005 TO .015.
 WELDING SYMBOLS PER AWS A2.4.
 ABBREVIATIONS PER MIL-STD-12.

DECIMALS		METRIC		ANGLES	
XX ±.03		X ± 0.8		XX ±1°	
XXX ±.010		XX ±0.25			

APPROVALS		DATE
ORIG	R.A.	06/29/09
CHK	EP	07/06/09
APP	DV	07/10/09

DO NOT SCALE DRAWING

UNLESS OTHERWISE SPECIFIED:
 DIMENSIONS ARE IN INCHES.
 DIMENSIONS IN BRACKETS () ARE IN
 MILLIMETERS TOLERANCES ARE:

MASTER COPY
DYTRAN INSTRUMENTS, INC.
 Chatsworth, CA

TITLE: **OUTLINE/INSTALLATION, 5802AT**

SIZE	CAGE CODE	DWG NO	REV
B	2W033	127-5802AT	B

SCALE: 1:4 SHEET 1 OF 1

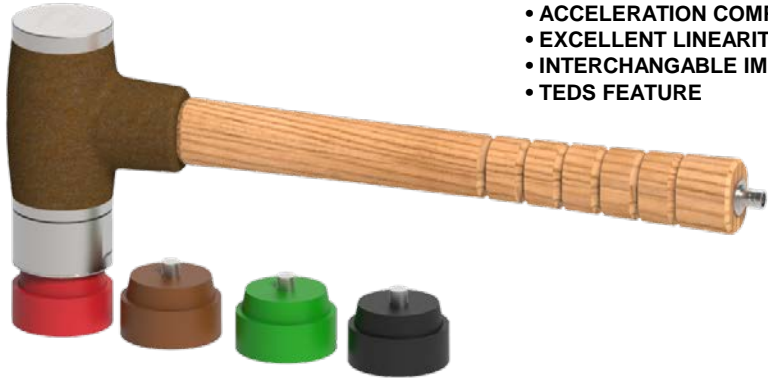
4

3

2

DV

1



- ACCELERATION COMPENSATED
- EXCELLENT LINEARITY
- INTERCHANGABLE IMPACT TIPS
- TEDS FEATURE

Supplied Accessories:

- Series 6251 Impact Tips: SEE TABLE →
- Accredited calibration certificate (ISO 17025)

Part #:	Color:	Hardness:	Excitation:
6251S	Brown	Soft	↑ Lower Frequency
6251M	Green	Medium	
6251T	Red	Tough	↓ Higher Frequency
6251H	Black	Hard	

Suggested Accessories

- Constant Current Power Source Units:
 - 4105C: Battery Powered
 - 4114B1: Line Operated
- Compatible Cables:
 - 6020AXX: BNC to BNC connection
 - 6011AXX: BNC to 10-32 connection
 - 6113: 10-32 to BNC adaptor

Notes:

- In the interest of constant product improvement, we reserve the right to change specifications without notice.
- Supply power from constant current source power sources only. Do not use with power supply without current limiting, 20mA maximum. To do so will destroy built-in amplifier.
- Percent of full scale or any lesser range, Zero based best-fit straight line method.
- Do not attempt to measure the resistance at the BNC connector. Many Ohm meters will provide a test voltage with high enough current to destroy the built-in IC.

PHYSICAL

Weight	Head
Length	Type
Connector	Thread
	Location
Material	Force Sensor
	Hammer Head
	Handle
Sensing Element	Impact Tips
	Material
	Mode

ENGLISH		SI	
3.0	lbs	1.36	kg
15	in.	38	cm
Coaxial		Coaxial	
BNC		BNC	
End		End	
17-4 PH SS		17-4 PH SS	
Cast Steel		Cast Steel	
Wood		Wood	
Polyurethane		Polyurethane	
Quartz		Quartz	
Compression		Compression	

PERFORMANCE

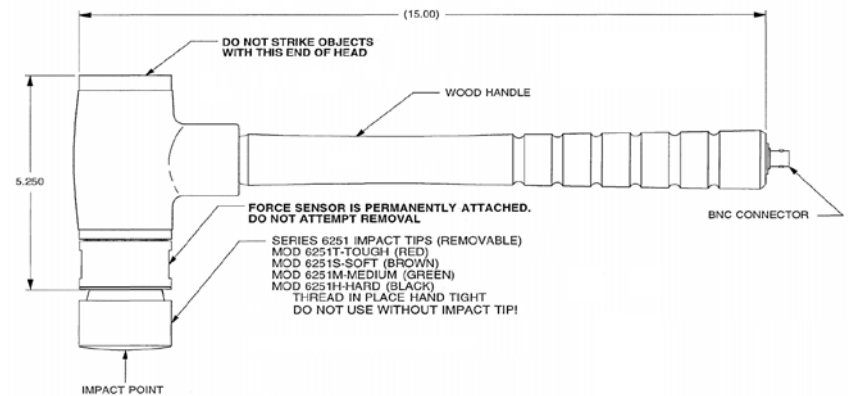
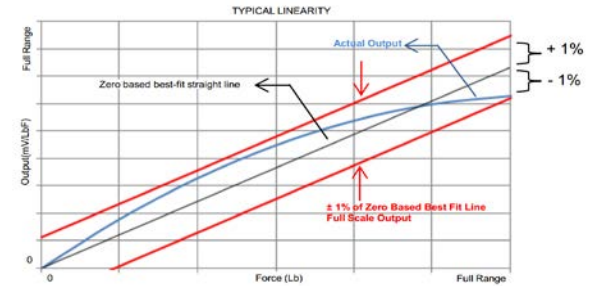
Sensitivity, ± 10 %	1	mV/LbF	0.25	mV/N
Range	5,000	Lbs. Force	22.2	kN
Maximum Force	10,000	Lbs. Force	44.5	kN
Linearity [3]	± 1	% Full Scale	± 1	% Full Scale
Resonant Frequency	75	kHz	75	kHz
Stiffness, Force Sensor	42	Lb/μin	7.28	kN/μm

ELECTRICAL

Output Voltage F.S	±5	V	±5	V
Output Impedance, Max [4]	100	Ω	100	Ω
Bias Voltage	7.5 to 9.5	VDC	7.5 to 9.5	VDC
Compliance Voltage Range [2]	+18 to +30	VDC	+18 to +30	VDC
Supply Current Range [2]	2 to 20	mA	2 to 20	mA
Discharge Time Constant, Nom	>1500	Sec	>1500	Sec
TEDS Feature	IEEE 1451.4		IEEE 1451.4	

ENVIRONMENTAL

Operating Temperature	-40 to +151	°F	-40 to +66	°C
-----------------------	-------------	----	------------	----



Units on the line drawing are in inches, units in brackets are in millimeters. Refer to 127-5802AT for more information.

