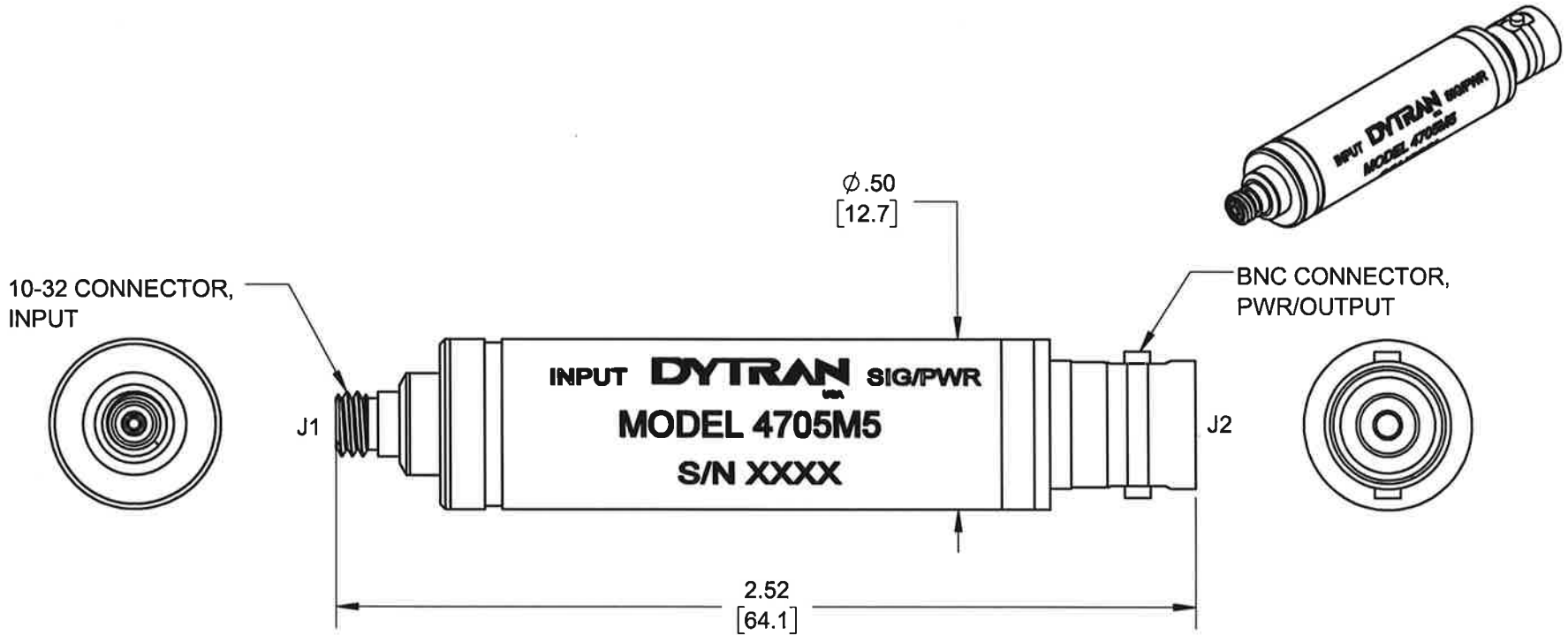


**PROPRIETARY AND CONFIDENTIAL**

THE INFORMATION CONTAINED IN THIS DRAWING IS THE SOLE PROPERTY OF DYTRAN INSTRUMENTS INC. ANY REPRODUCTION IN PART OR AS A WHOLE WITHOUT THE WRITTEN PERMISSION OF DYTRAN INSTRUMENTS INC. IS PROHIBITED

**REVISIONS**

REV	ECN	DESCRIPTION	BY/DATE	CHK	APPR
A	13005	INITIAL RELEASE	RA, 10/03/16	Em	Lu



USED ON	NEXT ASSY
APPLICATION	
THIRD ANGLE PROJECTION USA	

UNLESS OTHERWISE SPECIFIED:  
 INTERPRET DIM & TOL PER ASME Y14.5M - 1994.  
 REMOVE BURRS.  
 COUNTERSINK INTERNAL THDS 90° TO MAJOR DIA.  
 CHAM EXT THDS 45° TO MINOR DIA.  
 THD LENGTHS AND DEPTHS ARE FOR MIN FULL THDS.  
 THDS PER MIL-S-7742.  
 DIMENSIONS APPLY AFTER FINISHING.

ALL MACHINED SURFACES.  
 TOTAL RUNOUT WITHIN .005.  
 BREAK SHARP EDGES .005 TO .010.  
 MACHINED FILLET RADII .005 TO .015.  
 WELDING SYMBOLS PER AWS A2.4.  
 ABBREVIATIONS PER MIL-STD-12.

UNLESS OTHERWISE SPECIFIED:  
 DIMENSIONS ARE IN INCHES.  
 DIMENSIONS IN BRACKETS [] ARE IN MILLIMETERS  
 TOLERANCES ARE:  
 INCHES METRIC ANGLES  
 .XX ± .03 .X ± 0.8 ± 1°  
 .XXX ± .010 .XX ± 0.25

MATERIAL

FINISH

DO NOT SCALE DRAWING

CONTRACT NO.

APPROVALS		DATE
ORIG	RA	10/03/16
CHK	Em	10/11/16
APP	Lu	10/5/16
APP		

**DYTRAN INSTRUMENTS, INC.** Chatsworth, CA

**MASTER ONLY IF IN RED**

TITLE: **OUTLINE/INSTALLATION, 4705M5**

SIZE	CAGE CODE	DWG. NO.	REV
<b>A</b>	<b>2W033</b>	<b>127-4705M5</b>	<b>A</b>

SCALE: NONE      SOLIDWORKS      SHEET 1 OF 1

<b>Model Number</b> 4705M5	<b>PERFORMANCE SPECIFICATION</b>	<b>DOC NO</b> PS4705M5
	<b>CHARGE AMPLIFIER, IN-LINE</b>	REV B, ECN 13368, 03/28/17



- FAST TURN ON TIME
- MINIATURE PACKAGE

**PHYSICAL**

	ENGLISH		SI	
Weight, Max	1.2	oz	33	grams
Connector	10-32 Jack		10-32 Jack	
	BNC Jack		BNC Jack	
Housing	300 Series S.S.		300 Series S.S.	
Isolation	Case Grounded		Case Grounded	

**PERFORMANCE**

Sensitivity, ±10%	1.0	mV/pC	1.0	mV/pC
Input Range, ±5V out	±5000	pC	±5000	pC
Low Frequency Response, -3dB / -5%	0.32 / 0.96	Hz	0.32 / 0.96	Hz
High Frequency Response	[2]	Hz	[2]	Hz
Feedback Capacitor	1000	pF	1000	pF
Thermal Coefficient of Sensitivity, Max.	0.02	%/°F	0.04	%/°C
Minimum Source Resistance	2	MΩ	2	MΩ

**ELECTRICAL**

Supply Current Range [1]	2 to 20	mA	2 to 20	mA
Compliance Voltage Range	+18 to +30	VDC	+18 to +30	VDC
Output Impedance, Typ.	100	Ω	100	Ω
Output Bias Voltage	11	VDC	11	VDC
Discharge Time Constant	0.5	sec	0.5	sec

**ENVIRONMENTAL**

Shock Max.	2000	g pk	19620	m/s <sup>2</sup>
Vibration Max.	300	g pk	2943	m/s <sup>2</sup>
Operating Temperature	-50 to +185	°F	-46 to +85	°C
Seal	Epoxy		Epoxy	

**This family also includes:**

Model	Sensitivity (mV/pC)	Range (pC)	Insulation Resistance (Ω)	Feedback Capacitor (pF)

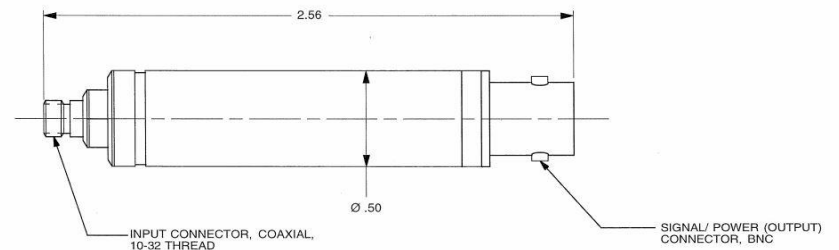
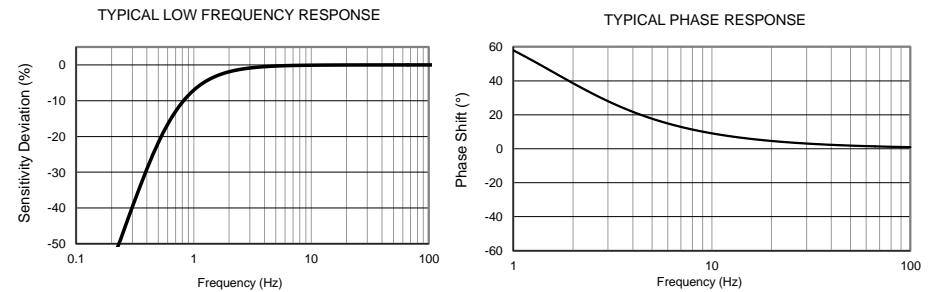
Refer to the performance specifications of the products in this family for detailed description

**Supplied Accessories:**

- 1) Accredited calibration certificate (ISO 17025)

**Notes:**

- [1] Do not apply power to this device without current limiting, 20 mA MAX. To do so will destroy the integral IC amplifier.
- [2] High frequency response depends upon drive current and cable length, since there is no filtering.



Units on the line drawing are in inches, units in brackets are in millimeters. Refer to 127-4705M4 for more information.



21592 Marilla Street, Chatsworth, California 91311 Phone: 818.700.7818 Fax: 818.700.7880 [www.dytran.com](http://www.dytran.com)  
For permission to reprint this content, please contact [info@dytran.com](mailto:info@dytran.com)