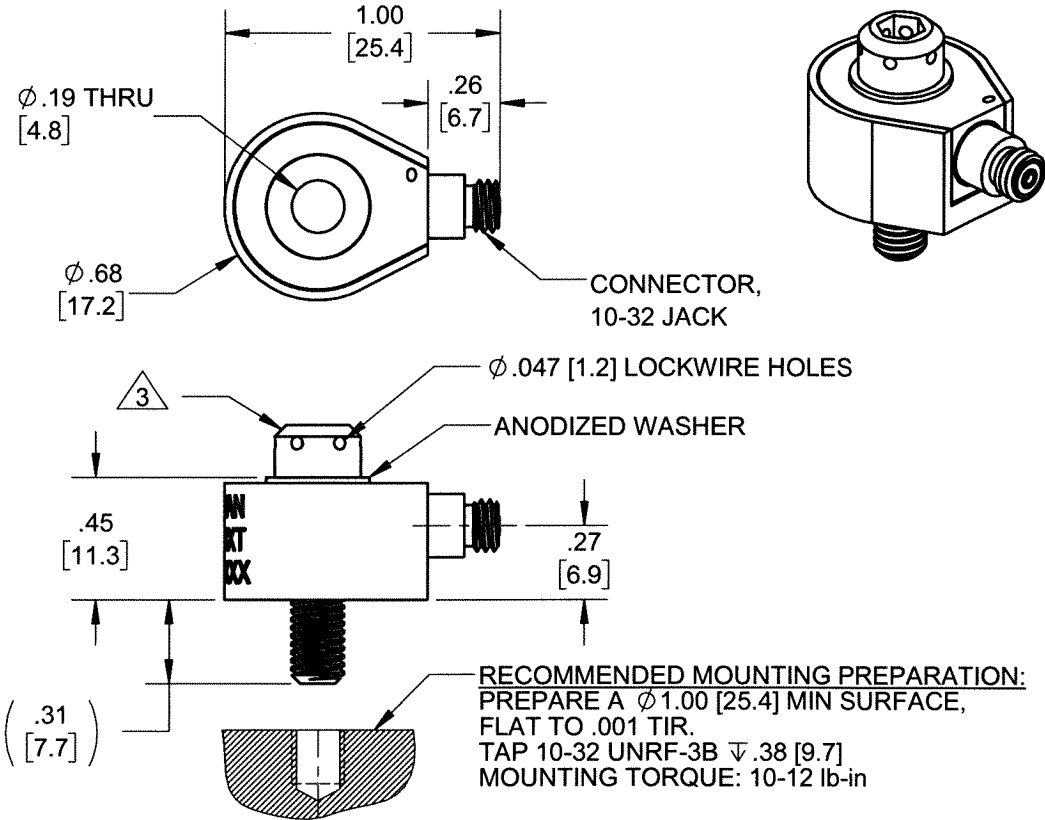
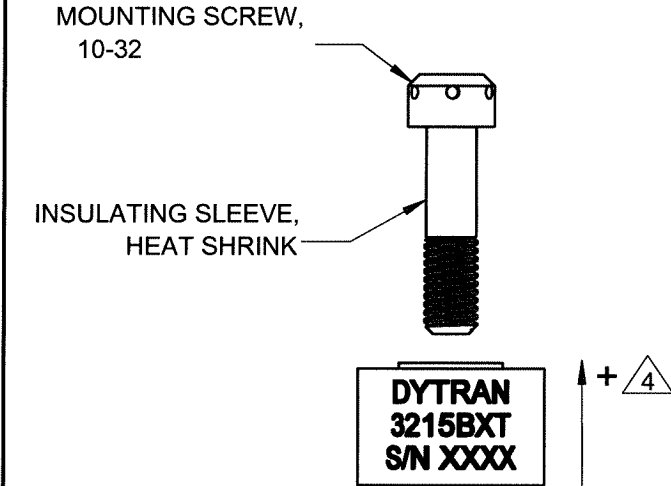


PROPRIETARY AND CONFIDENTIAL		REVISIONS					
THE INFORMATION CONTAINED IN THIS DRAWING IS THE SOLE PROPERTY OF DYTRAN INSTRUMENTS INC. ANY REPRODUCTION IN PART OR AS A WHOLE WITHOUT THE WRITTEN PERMISSION OF DYTRAN INSTRUMENTS INC. IS PROHIBITED		REV	ECN	DESCRIPTION	BY/DATE	CHK	APPR
		A	14993	INITIAL RELEASE	KG 05/20/19		

MODEL	SENSITIVITY
3215B1T	5 mV/g
3215B2T	10 mV/g



- 4 ARROW INDICATES DIRECTION FOR POSITIVE OUTPUT.
 - 3 MOUNTING SCREW, MODEL 6368, 10-32 X .75 [19.1] LONG, WITH INSULATING SLEEVE, SUPPLIED MOUNTING SCREW, MODEL 69075, 10-32 X .75 [19.1] LONG, WITHOUT LOCK WIRE HOLES, AVAILABLE.
2. HOUSING/CONNECTOR MATERIAL: TITANIUM ALLOY
1. WEIGHT: 8.7 GRAMS, MAX.
- NOTES: UNLESS OTHERWISE SPECIFIED

USED ON	NEXT ASSY	APPLICATION	THIRD ANGLE PROJECTION USA
UNLESS OTHERWISE SPECIFIED: INTERPRET DIM & TOL PER ASME Y14.5M - 1994. REMOVE BURRS. COUNTERSINK INTERNAL THDS 90° TO MAJOR DIA. CHAM EXT THDS 45° TO MINOR DIA. THD LENGTHS AND DEPTHS ARE FOR MIN FULL THDS. THDS PER MIL-S-7742. DIMENSIONS APPLY AFTER FINISHING.			63 ALL MACHINED SURFACES. TOTAL RUNOUT WITHIN .005. BREAK SHARP EDGES .005 TO .010. MACHINED FILLET RADII .005 TO .015. WELDING SYMBOLS PER AWS A2.4. ABBREVIATIONS PER MIL-STD-12.

UNLESS OTHERWISE SPECIFIED: DIMENSIONS ARE IN INCHES. DIMENSIONS IN BRACKETS [] ARE IN MILLIMETERS TOLERANCES ARE: INCHES METRIC ANGLES .XX ± .03 .X ± 0.8 ± 1° .XXX ± 0.10 .XX ± 0.25		
MATERIAL	DO NOT SCALE DRAWING	
FINISH		

CONTRACT NO.		
APPROVALS		DATE
ORIG	NDC	03/29/19
CHK		4/13/19
APP		6/13/19
APP		

DYTRAN INSTRUMENTS, INC. **MASTER ONLY IF IN RED**
Chatsworth, CA

TITLE: **OUTLINE/INSTALLATION DRAWING, MODEL 3215BXT SERIES, ISOLATION CUP**

SIZE	CAGE CODE	DWG. NO.	REV
A	2W033	127-3215B1T	A

SCALE: NONE SOLIDWORKS SHEET 1 OF 1

Model Number
3215B1T

PERFORMANCE SPECIFICATION

DOC NO
PS3215B1T

MINIATURE IEPE ACCELEROMETER

REV A, ECN 14993, 05/20/19



- MINIATURE SIZE
- HERMETICALLY SEALED
- BASE ISOLATED
- TEDS FEATURE

PHYSICAL

Weight, Max
Connector, Side Mounted
Mounting Provision, Thru Hole
Material, Housing/Connector
Sensing Element
Element Style

ENGLISH		SI	
0.30	oz	8.7	grams
10-32 Jack		10-32 Jack	
Ø.19	Inches	Ø 4.8	mm
Titanium Alloy		Titanium Alloy	
Quartz		Quartz	
Shear		Shear	

PERFORMANCE

Sensitivity, ±5% [1]
Range F.S for ± 5 Volts Output
Frequency Response, ±5%
Frequency Response, ±10%
Resonant Frequency
Equivalent Electrical Noise Floor
Linearity [2]
Maximum Transverse Sensitivity
Strain Sensitivity @ 250µε

5	mV/g	0.5	mV/m/s ²
± 1000	g	± 9810	m/s ²
1.6 to 5,000	Hz	1.6 to 5,000	Hz
1.1 to 10,000	Hz	1.1 to 10,000	Hz
>50	kHz	>50	kHz
0.010	Grms	0.10	m/s ² rms
± 1%	% F.S.	± 1%	% F.S.
5	%	5	%
0.003	g/µε	0.03	m/s ² /µε

ENVIRONMENTAL

Maximum Vibration
Maximum Shock
Temperature Range
TEDS Operating Range
Seal

± 1500	Gpeak	± 14715	m/s ² peak
± 5000	Gpeak	± 49050	m/s ² peak
-60 to +300	°F	-51 to +149	°C
-40 to +185	°F	-40 to +85	°C
Hermetic		Hermetic	

ELECTRICAL

Supply Current Range [3]
Compliance Voltage Range
Output Impedance, Typ
Bias Voltage
Discharge Time Constant
Isolation, Case to mounting surface, Min.
TEDS Feature

2 to 20	mA	2 to 20	mA
+18 to +30	VDC	+18 to +30	VDC
100	Ω	100	Ω
+7.5 to +9.5	VDC	+7.5 to +9.5	VDC
0.3 to 2.0	Sec	0.3 to 2.0	Sec
10	GΩ	10	GΩ
IEEE 1451.4		IEEE 1451.4	

This family also includes:

Model	Sensitivity (mV/g)	Frequency Response, ±10% (Hz)	Time Constant (Sec)	Operating Temp (°F)
3215B2T	10	1.1 to 10,000	0.3 to 2.0	-60 to +300

Refer to the performance specifications of the products in this family for detailed description.

Supplied Accessories:

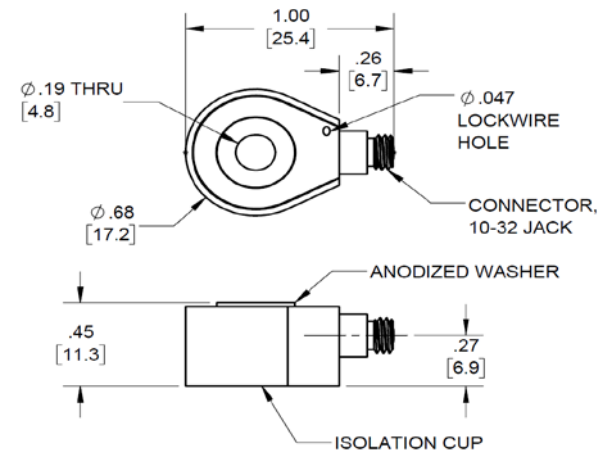
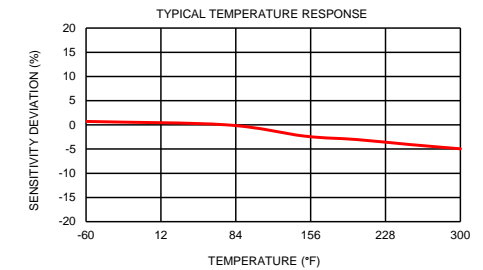
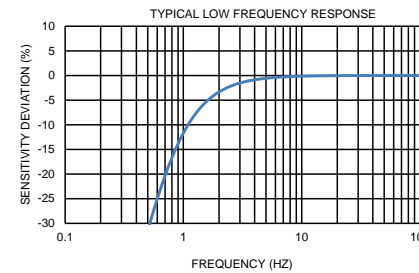
- 1) Accredited calibration certificate (ISO 17025)
- 2) Mounting Screw, Model 6368, Qty: 1

Accessories Available:

- 1) Mounting Screw, Model 69075 (No lock wire holes)

Notes:

- [1] Measure at 100Hz, 1 Grms per ISA RP 37.2
 - [2] Measure using zero-based straight line method, % of F.S. or any lesser range.
 - [3] Do not apply power to this system without current limiting, 20 mA MAX. To do so will destroy the IC charge amplifier.
 - [4] In the interest of constant product improvement, we reserve the rights to change the specifications without notice.
- It is the customer's responsibility to validate that a particular product with the properties described in the product specification is suitable for use in a particular application. Parameters provided in datasheets and / or specifications may vary in different applications and performance may vary overtime. All operating parameters, including typical parameters, must be validated for each customer application by the customer's technical experts.



Units on the line drawing are in inches, units in brackets are in millimeters. Refer to 127-3215B1T for more information.



21592 Marilla Street, Chatsworth, California 91311 Phone: 818.700.7818 Fax: 818.700.7880 www.dytran.com
For permission to reprint this content, please contact info@dytran.com