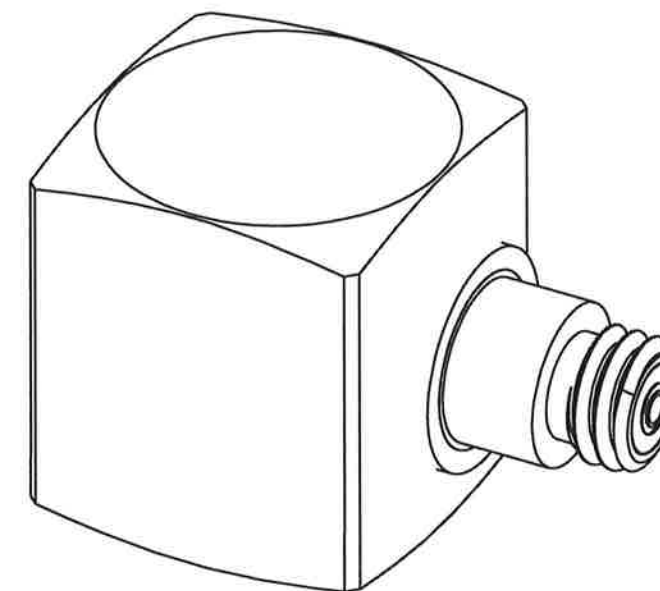
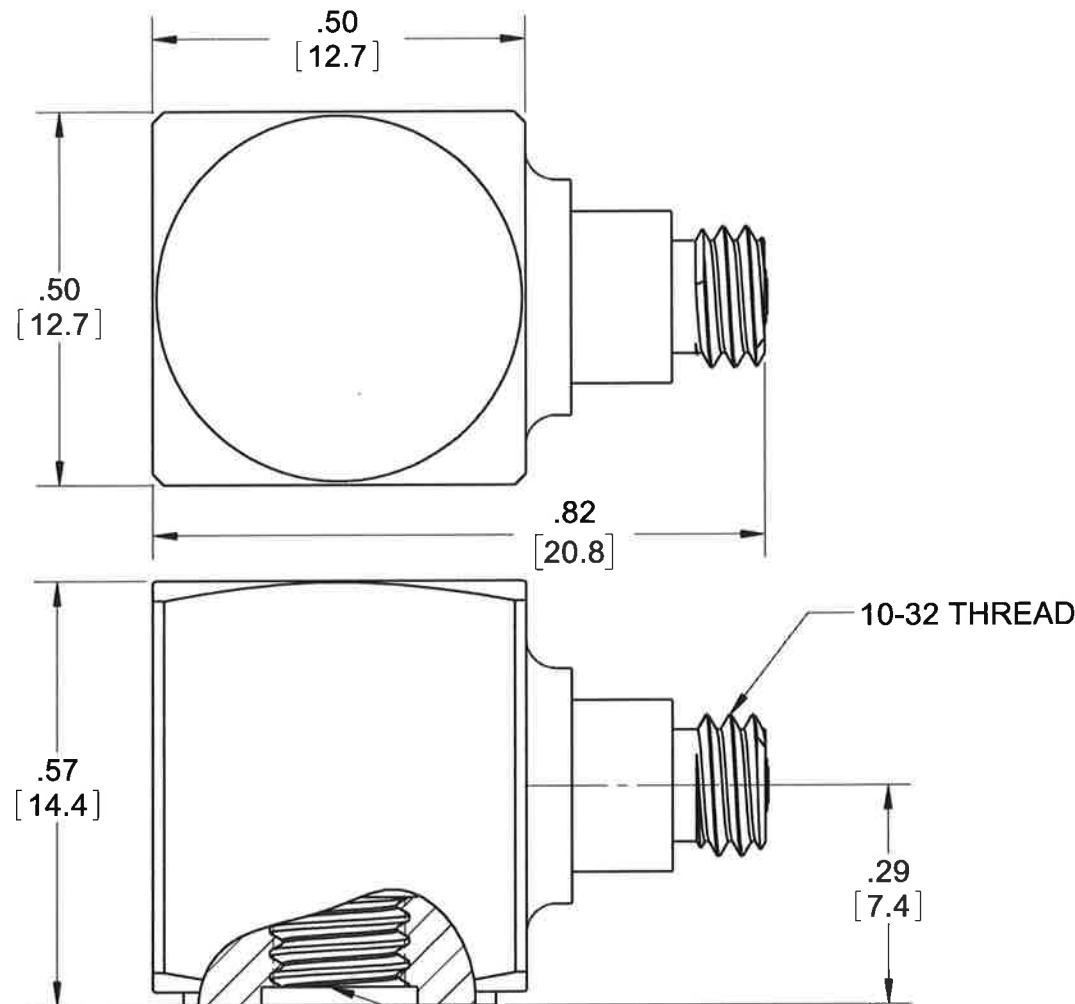


PROPRIETARY AND CONFIDENTIAL

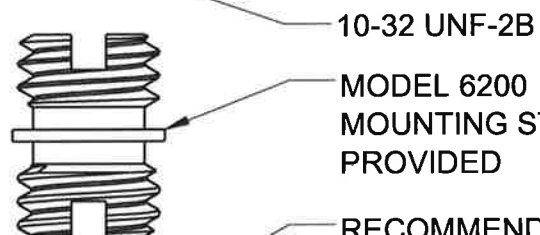
THE INFORMATION CONTAINED IN THIS DRAWING IS THE SOLE PROPERTY OF DYTRAN INSTRUMENTS INC. ANY REPRODUCTION IN PART OR AS A WHOLE WITHOUT THE WRITTEN PERMISSION OF DYTRAN INSTRUMENTS INC. IS PROHIBITED

REVISIONS

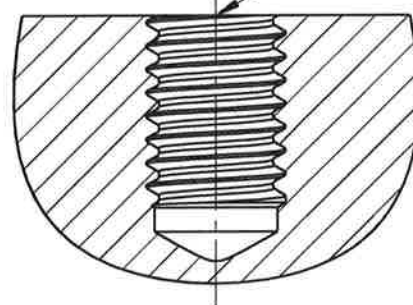
REV	ECN	DESCRIPTION	BY/DATE	CHK	APPR
A	4791	INITIAL RELEASE	RA, 08/14/07	CES	PML
B	13235	SEE ECN	LA 01/26/17	RA	W



MODEL NO	REV	DATE	ECN	SENS
3214A1	B	01/26/17	13235	10mV/g
3214A2	B	01/26/17	13235	100mV/g
3214A3	B	01/26/17	13235	500mV/g



10-32 UNF-2B
MODEL 6200 MOUNTING STUD, PROVIDED



RECOMMENDED MOUNTING PREP:
PREPARE MOUNTING SURFACE, Ø.80 [20.3] MIN., FLAT TO .001 TIR.
TAP 10-32 UNF-2B ∇.25 [6.4] MIN.
MOUNTING TORQUE: 10-12 Lb-in.

- 7. SEAL: HERMETIC
- 6. MATING CABLE: 6010AXX, 6011AXX, XX=LENGTH IN FEET.
- 5. SENSITIVITY: SEE CHART
- 4. OPERATING TEMPERATURE RANGE: -60°F TO +250°F [-51°C TO +121°C]

3 ARROW INDICATES DIRECTION OF ACCELERATION FOR POSITIVE OUTPUT

2. WEIGHT: .35oz [10 GRAMS]

1. HOUSING/ CONNECTOR MATERIAL: Ti-6AL-4V

NOTES: UNLESS OTHERWISE SPECIFIED

UNLESS OTHERWISE SPECIFIED:
INTERPRET DIM & TOL PER ASME Y14.5M - 1994.
REMOVE BURRS.
COUNTERSINK INTERNAL THDS 90° TO MAJOR DIA.
CHAM EXT THDS 45° TO MINOR DIA.
THD LENGTHS AND DEPTHS ARE FOR MIN FULL THDS.
DIMENSIONS APPLY AFTER FINISHING.

ALL MACHINED SURFACES. TOTAL RUNOUT WITHIN .005. BREAK SHARP EDGES .005 TO .010. MACHINED FILLET RADII .005 TO .015. WELDING SYMBOLS PER AWS A2.4. ABBREVIATIONS PER MIL-STD-12.

UNLESS OTHERWISE SPECIFIED: DIMENSIONS ARE IN INCHES DIMENSIONS IN BRACKETS [] ARE IN MILLIMETERS TOLERANCES ARE:		
DECIMALS	METRIC	ANGLES
.XX ±.03	.X ±0.8	±1°
.XXX ±.010	.XX ±0.25	
APPROVALS		DATE
ORIG	PML	06/22/07
CHK	CES	08/30/07
APP	PML	09/03/07
DO NOT SCALE DRAWING		THIRD ANGLE PROJECTION USA

MASTER ONLY IF IN RED

DYTRAN INSTRUMENTS, INC. Chatsworth, CA

TITLE: **OUTLINE/INSTALLATION DRAWING, 3214A SERIES**

SIZE B	CAGE CODE 2W033	DWG NO 127-3214A	REV B
---------------	------------------------	-------------------------	--------------

SCALE: 4:1 SHEET 1 OF 1

Model Number 3214A1	PERFORMANCE SPECIFICATIONS	DOC NO PS3214A1
IEPE ACCELEROMETER		REV B, ECN 13235, 01/27/17



- HERMETICALLY SEALED
- IDEAL LOW FREQUENCY RESPONSE

PHYSICAL

Weight
 Connector Type
 Mounting Provision
 Material, Housing/Connector
 Sensing Element
 Element Style

ENGLISH		SI	
0.39	oz	11	grams
10-32		10-32	
10-32 X .150 ↓		10-32 X .150 ↓	
Titanium		Titanium	
Ceramic		Ceramic	
Planar Shear		Planar Shear	

PERFORMANCE

Sensitivity, ± 5% [1]
 Range for ± 5 Volts Output
 Frequency Response, ± 10%
 Resonant Frequency
 Broad Band Resolution
 Linearity [2]
 Maximum Transverse sensitivity
 Strain Sensitivity @ 250µε

10	mV/g	1	mV/m/s ²
500	g	4905	m/s ²
1 to 10000	Hz	1 to 10000	Hz
> 36	kHz	> 36	kHz
0.0040	Grms	0.039	m/s ² rms
± 1	% F.S.	± 1	% F.S.
5	%	5	%
0.002	g/µε	0.02	m/s ² /µε

ENVIRONMENTAL

Maximum Vibration
 Maximum Shock
 Temperature Range
 Seal

600	Gpeak	5886	m/s ² peak
3000	Gpeak	29430	m/s ² peak
-67 to +250	*F	-55 to 121	*C
Hermetic		Hermetic	

ELECTRICAL

Supply Current Range [3]
 Compliance Voltage Range
 Output Impedence, Typ
 Bias Voltage
 Discharge Time Constant

2 to 20	mA	2 to 20	mA
18 to +30	Volts	18 to +30	Volts
100	Ω	100	Ω
11 to 13	VDC	11 to 13	VDC
0.5 to 1.5	Sec	0.5 to 1.5	Sec

This family also includes:

Model	Sensitivity (mV/g)	Frequency Response (Hz)	Time Constant (Sec)	Operating Temp (*F)
3214A2	100	1 to 10000	0.5 to 1.5	-67 to +250
3214A3	500	1 to 10000	0.5 to 1.5	-67 to +225

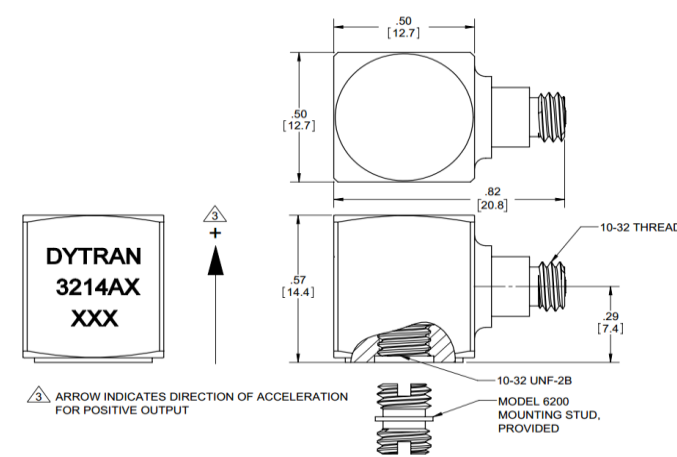
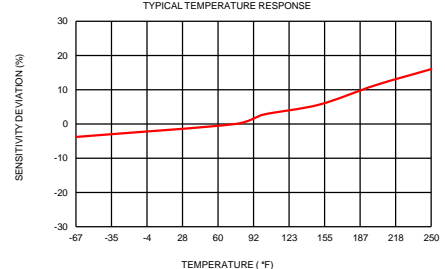
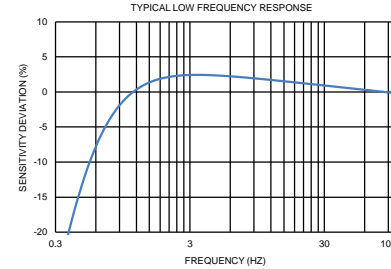
Refer to the performance specifications of the products in this family for detailed description

Supplied Accessories:

- 1) Accredited calibration certificate (ISO 17025)
- 2) Model 6200 mounting stud, qty 1

Notes:

- [1] Measured at 100Hz, 1 Grms per ISA RP 37.2.
- [2] Measure using zero-based straight line method, % of F.S. or any lesser range.
- [3] Do not apply power to this system without current limiting, 20 mA MAX. To do so will destroy the IC charge amplifier.
- [4] In the interest of constant product improvement, we reserve the right to change specifications without notice.
- [5] Mating Cable: 6010AXX, 6011AXX, XX = length in feet.



Units on the line drawing are in inches, units in brackets are in millimeters. Refer to 127-3214A for more information.



21592 Marilla Street, Chatsworth, California 91311 Phone: 818.700.7818 Fax: 818.700.7880 www.dytran.com
 For permission to reprint this content, please contact info@dytran.com