

PROPRIETARY AND CONFIDENTIAL

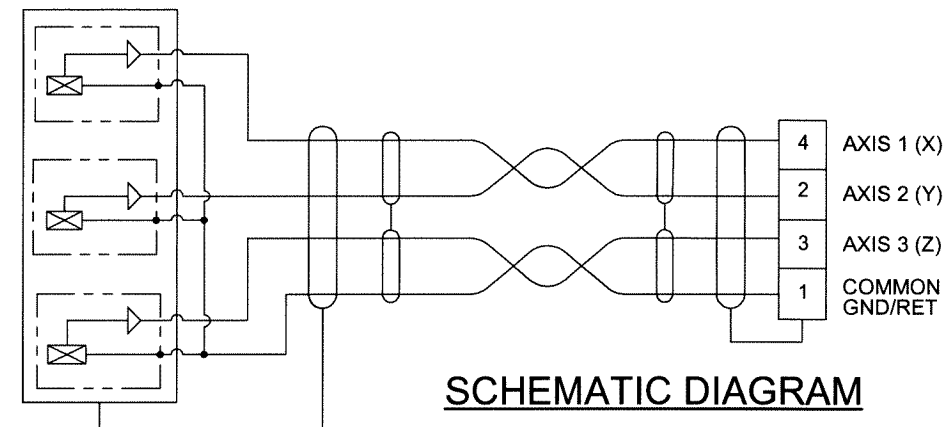
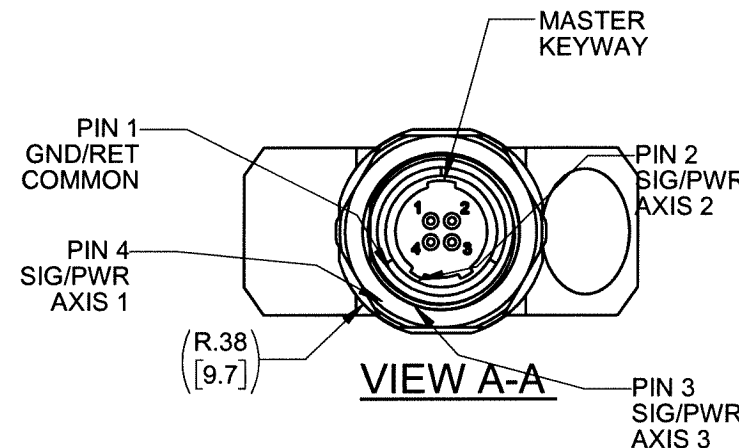
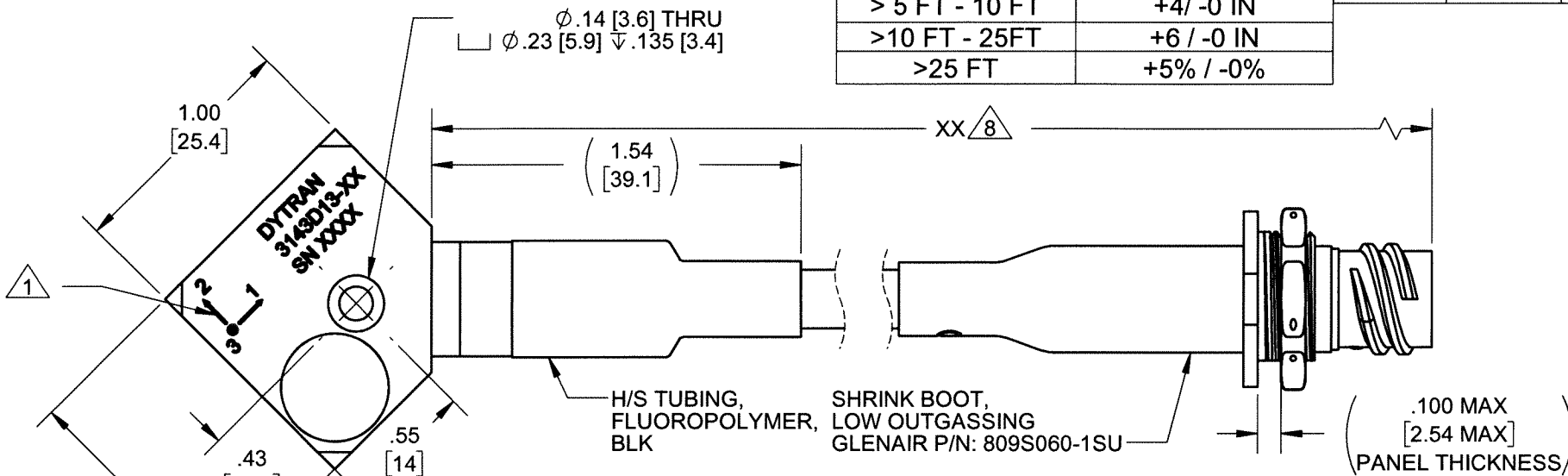
THE INFORMATION CONTAINED IN THIS DRAWING IS THE SOLE PROPERTY OF DYTRAN INSTRUMENTS INC. ANY REPRODUCTION IN PART OR AS A WHOLE WITHOUT THE WRITTEN PERMISSION OF DYTRAN INSTRUMENTS INC. IS PROHIBITED

8 CABLE LENGTH TOLERANCE

≤1FT	+1/ -0 IN
>1 FT - 5 FT	+2/ -0 IN
> 5 FT - 10 FT	+4/ -0 IN
>10 FT - 25FT	+6 / -0 IN
>25 FT	+5% / -0%

REVISIONS

REV.	ECN	DESCRIPTION	BY/DATE	CHK	APPR
A	14959	INITIAL RELEASE	DA, 04/01/19	[Signature]	[Signature]



CABLE, 4-CONDUCTOR, 24AWG, PFA JACKET. SEE TABLE FOR SPECIFICATIONS

MOUNTING RECOMMENDATIONS: PREPARE MOUNTING SURFACE FLAT TO .001 TIR. TAP 6-32 UNC-2B ±.30 MIN. RECOMMENDED MOUNTING TORQUE 8 -10 LB-IN. FOR BEST FREQUENCY RESPONSE, MOUNTING SURFACE MUST CONTACT THE ENTIRE ACCELEROMETER MOUNTING SURFACE.

8 MODEL NUMBER 3143D13-XX ("XX" DENOTES CABLE LENGTH IN FEET). SEE TABLE FOR TOLERANCE.

7. LOW OUTGASSING.

6. MINOR VOIDS, SCARS, SCRATCHES AND MOUNTING BLEMISH / WITNESS MARKS ON EXTERNAL SURFACES ARE ALLOWED DUE TO RESTRAINING AND HANDLING DURING TESTING, TRANSPORT OR PROCESSING. THESE APPEAR AS INDICATORS THAT DO NOT AFFECT FORM, FIT OR FUNCTION AS INTENDED BY DESIGN OR APPLICATION

5 SUGGESTED HARDWARE: 6-32 UNC-2B X .625, SHCS, 300 SERIES STAINLESS STEEL.

4. HOUSING AND CONNECTOR MATERIAL: 300 SERIES STAINLESS STEEL

3 MATING CONNECTOR: GLENAIR P/N 805-001-16Z18-4SA OR 805-002-16Z18-4SA

2. WEIGHT: 60 GRAMS, MAX. (LESS CABLE)

1 ARROWS INDICATE DIRECTION OF ACCELERATION FOR POSITIVE OUTPUT.

NOTES: UNLESS OTHERWISE SPECIFIED

CABLE SPECIFICATIONS			
COMPONENTS	2 # TWISTED PAIRS	AWG	24-7/32 SILVER PLATED COPPER
		WIRE TYPE	M16878/6-24
		CABLING	TWISTED PAIR, RIGHT HAND LAY
		SHIELD	36 AWG SPC BRAID, 90% NOM. COVERAGE
	JACKET		TFE TAPE SINGLE WRAP
CONSTRUCTION	DRAIN WIRE	24 - 7/32 SILVER PLATED COPPER	
	BINDER	.004" TEFLON TAPE WRAP	
	SHIELD	36 AWG SILVER PLATED COPPER BRAID, 90% MIN. COVERAGE	
	SEPARATOR	3/4" WHITE TEFLON TAPE WRAP	
	JACKET	MATERIAL	PERFLUOROALKOXY ALKANE (PFA)
	COLOR CODED	WHITE	
	THICKNESS	.015" NOM.	
	DIAMETER	0.275" NOM	

UNLESS OTHERWISE SPECIFIED: INTERPRET DIM & TOL PER ASME Y14.5M - 1994. REMOVE BURRS. COUNTERSINK INTERNAL THDS 90° TO MAJOR DIA. CHAM EXT THDS 45° TO MINOR DIA. THD LENGTHS AND DEPTHS ARE FOR MIN FULL THDS. DIMENSIONS APPLY AFTER FINISHING.

UNLESS OTHERWISE SPECIFIED: DIMENSIONS IN BRACKETS [] ARE IN MILLIMETERS TOLERANCES ARE:

DECIMALS	METRIC	ANGLES
.XX ±.03	X ± 0.8	±1°
.XXX ±.010	.XX ±0.25	

APPROVALS: ORG LN 03/11/19, CHK [Signature] 4/3/19, APP [Signature] 4/9/19

DATE: 03/11/19

TITLE: OUTLINE/INSTALLATION DRAWING, MODEL 3143D13-XX

SIZE B, CAGE CODE 2W033, DWG NO 127-3143D13-XX, REV A

SCALE: 3:2, SHEET 1 OF 1

DO NOT SCALE DRAWING

THIRD ANGLE PROJECTION

IEPE TRIAXIAL ACCELEROMETER

REV B, ECN 15662, 03/31/20



- HERMETICALLY SEALED
- MECHANICALLY AND ELECTRICALLY FILTERED
- INTEGRAL CABLE
- LOW OUTGASSING

PHYSICAL

Weight, Max. (Less cable)
Connector [1]
Mounting Provision
Material, Housing/Connector
Sensing Element
Element Style

Type
Thru Hole

ENGLISH		SI	
2.1	oz	60	grams
4 - Pin		4 - Pin	
6-32 Mounting Screw		6-32 Mounting Screw	
300 Series S.S.		300 Series S.S.	
Quartz		Quartz	
Planar Shear		Planar Shear	

PERFORMANCE

Sensitivity, ±5% [2]
Range for ± 5 Volts Output
Frequency Response, ±3dB
Resonant Frequency
Broad Band Resolution
Linearity [3]
Maximum Transverse Sensitivity
Strain Sensitivity @ 250µε

1.0	mV/g	0.1	mV/m/s ²
±5000	g peak	±49050	m/s ²
0.5 to 10000	Hz	0.5 to 10000	Hz
> 25	kHz	> 25	kHz
0.070	g rms	0.69	m/s ² rms
± 1	% F.S.	± 1	% F.S.
6	%	6	%
0.012	g/µε	0.12	m/s ² /µε

ENVIRONMENTAL

Maximum Vibration
Maximum Shock
Operating Temperature Range
Seal

6000	g peak	58860	m/s ² peak
7000	g peak	68670	m/s ² peak
-60 to 250	°F	-51 to 121	°C
Hermetic		Hermetic	

ELECTRICAL

Supply Current Range [4]
Compliance Voltage Range
Output Impedance, Typ
Bias Voltage
Discharge Time Constant
Electrical Isolation

2 to 20	mA	2 to 20	mA
+18 to +30	Volts	+18 to +30	Volts
100	Ω	100	Ω
+7.0 to +11.5	VDC	+7.0 to +11.5	VDC
0.5 to 2.0	Sec	0.5 to 2.0	Sec
10	GΩ,min	10	GΩ,min

This family also includes:

Model	Sensitivity (mV/g)	Frequency Response (Hz)	Time Constant (Sec)	Operating Temp (°F)

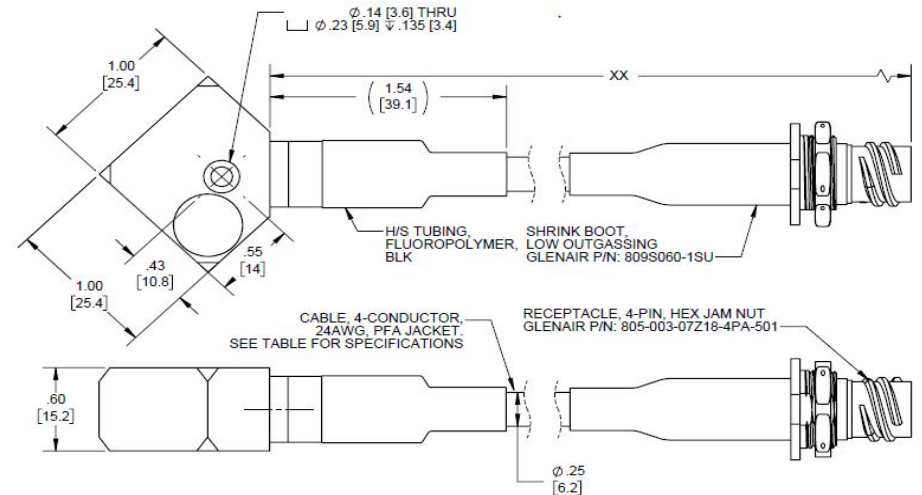
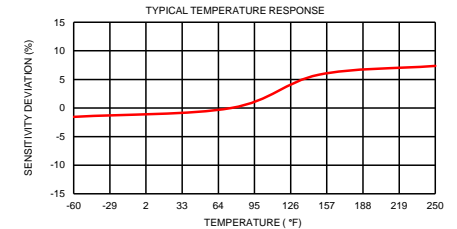
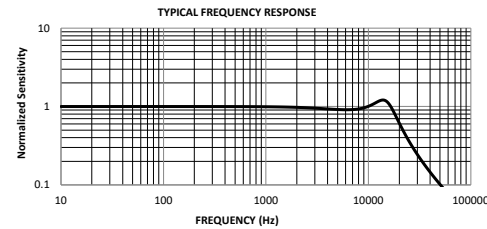
Refer to the performance specifications of the products in this family for detailed description

Supplied Accessories:

1) Accredited calibration certificate (ISO 17025)

Notes:

- [1] Glenair P/N: 805-003-07Z18-4PA-501. Mates with Glenair P/N: 805-001-16Z18-4SA and 805-002-16Z18-4SA
- [2] Measured at 100Hz, 10 Grms per ISA RP 37.2.
- [3] Measured using zero-based straight line method, % of F.S. or any lesser range.
- [4] Do not apply power to this system without current limiting, 20 mA MAX. To do so will destroy the amplifier.
- [5] In the interest of constant product improvement, we reserve the right to change specifications without notice. It is the customer's responsibility to validate that a particular product with the properties described in the product specification is suitable for use in a particular application. Parameters provided in datasheets and / or specifications may vary in different applications and performance may vary overtime. All operating parameters, including typical parameters, must be validated for each customer application by the customer's technical experts.



Units on the line drawing are in inches, units in brackets are in millimeters. Refer to 127-3143D13-XX for more information.

