

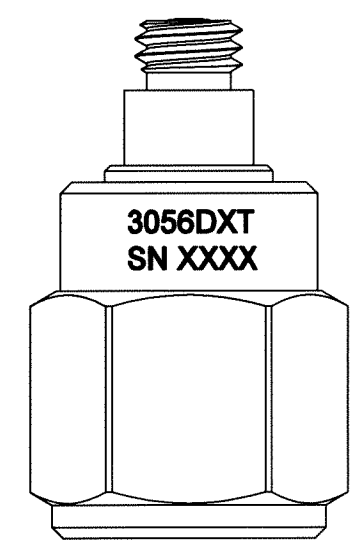
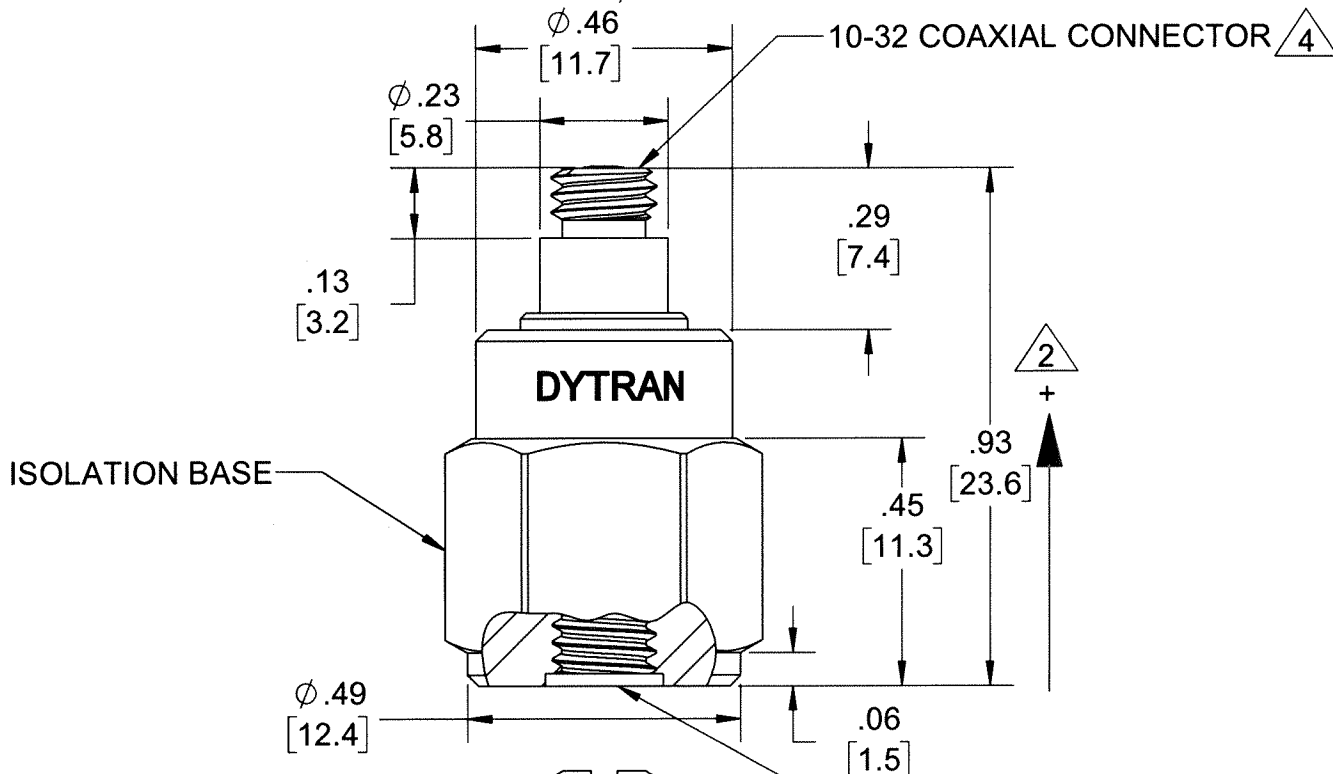
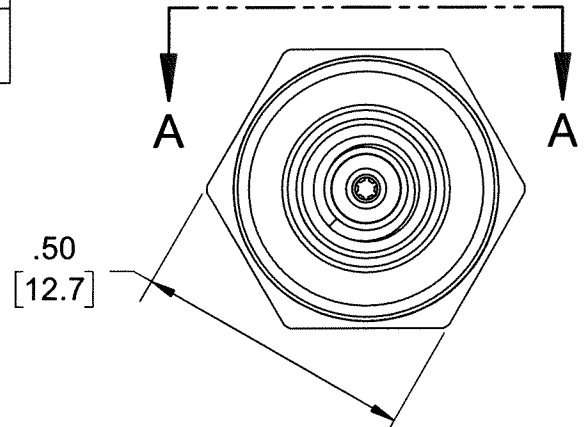
PROPRIETARY AND CONFIDENTIAL

THE INFORMATION CONTAINED IN THIS DRAWING IS THE SOLE PROPERTY OF DYTRAN INSTRUMENTS INC. ANY REPRODUCTION IN PART OR AS A WHOLE WITHOUT THE WRITTEN PERMISSION OF DYTRAN INSTRUMENTS INC. IS PROHIBITED

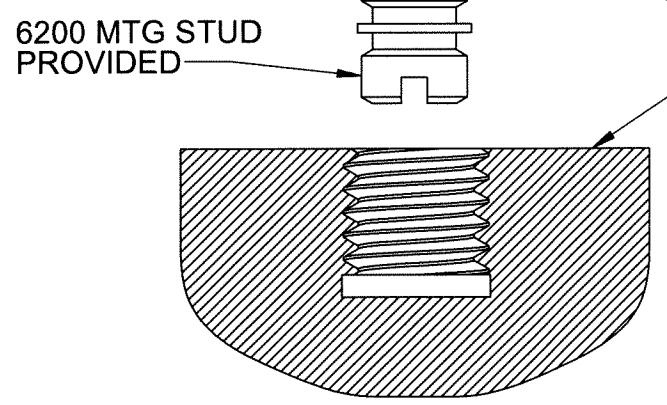
MODEL	SENSITIVITY
3056D1T	10 mV/g
3056D2T	100 mV/g
3056D3T	500 mV/g
3056D4T	20 mV/g
3056D5T	50 mV/g
3056D6T	200 mV/g
3056D7T	1 mV/g
3056D8T	5 mV/g

REVISIONS

REV.	ECN	DESCRIPTION	BY/DATE	CHK	APPR
A	11394	INITIAL RELEASE	RA 11/06/14	EM	DV
B	11983	ADDED 3056D7T & D8T	LA 05/18/15	RT	DV
C	12426	ADDED VIEW A-A, REMOVED ISOMETRIC VIEW	RA, 01/06/16	EM	LN
D	14310	ZONE B3 10-32 UNF WAS: 1032 UNC	RA, 07/10/18	W	MH



VIEW A-A
ROTATED 180°



- 4 MATES WITH DYTRAN 6010AXX OR 6011AXX CABLE (XX=LENGTH IS FEET)
 - 3. WEIGHT: 10 GRAMS (APPROX)
 - 2 ARROW INDICATES ACCELERATION DIRECTION FOR POSITIVE OUTPUT.
 - 1. MATERIAL: TITANIUM ALLOY
- NOTES: UNLESS OTHERWISE SPECIFIED

UNLESS OTHERWISE SPECIFIED: INTERPRET DIM & TOL PER ASME Y14.5M - 1994. REMOVE BURRS. COUNTERSINK INTERNAL THDS 90° TO MAJOR DIA. CHAM EXT THDS 45° TO MINOR DIA. THD LENGTHS AND DEPTHS ARE FOR MIN FULL THDS. DIMENSIONS APPLY AFTER FINISHING.	UNLESS OTHERWISE SPECIFIED: DIMENSIONS ARE IN INCHES. TOLERANCES ARE:		
	DECIMALS .XX ±.03 .XXX ±.010	METRIC X ± 0.8 XX ± 0.25	ANGLES ± 1°
	APPROVALS	DATE	
	ORIG RA	10/29/14	
CHK EM	12/12/14		
APP DV	12/17/14		
DO NOT SCALE DRAWING	THIRD ANGLE PROJECTION		

DYTRAN INSTRUMENTS, INC. Chatsworth, CA

MASTER ONLY IF IN RED

TITLE: **OUTLINE/INSTALLATION, MODEL 3056DXT**

SIZE B	CAGE CODE 2W033	DWG NO 127-3056DT	REV D
SCALE: 3:1	PART NO:	SHEET 1 OF 1	

	IEPE ACCELEROMETER	REV F, ECN 15637, 03/17/20
--	---------------------------	----------------------------



- HERMETICALLY SEALED
- BASE ISOLATED
- TEDS

PHYSICAL
 Weight
 Connector
 Mounting Provision
 Material, Housing/Connector
 Sensing Element
 Element Style

ENGLISH		SI	
0.35	oz	10	grams
10-32		10-32	
10-32 X .150 ↓		10-32 X .150 ↓	
Titanium		Titanium	
Ceramic		Ceramic	
Planar Shear		Planar Shear	

PERFORMANCE
 Sensitivity, ±5% [1]
 Range for ± 5 Volts Output
 Frequency Response, ±10%
 Resonant Frequency
 Broad Band Resolution
 Linearity [2]
 Maximum Transverse Sensitivity
 Strain Sensitivity @ 250µε

1	mV/G	0.1	mV/m/s ²
5,000	G peak	49050	m/s ²
1 to 10,000	Hz	1 to 10,000	Hz
> 36	kHz	> 36	kHz
0.009	G rms	0.088	m/s ² rms
±1	% F.S.	±1	% F.S.
5	%	5	%
0.001	G/µε	0.01	m/s ² /µε

ENVIRONMENTAL
 Maximum Vibration
 Maximum Shock
 Operating Temperature Range
 TEDS Operating Temperature
 Seal

6000	G peak	58860	m/s ² peak
8000	G peak	78480	m/s ² peak
-60 to +250	°F	-51 to 121	°C
-40 to +185	°F	-40 to +85	°C
HERMETIC		HERMETIC	

ELECTRICAL
 Supply Current Range [3]
 Compliance Voltage Range
 Output Impedence, Typ
 Bias Voltage
 Discharge Time Constant
 Electrical Isolation
 TEDS

2 to 20	mA	2 to 20	mA
+18 to +30	Volts	+18 to +30	Volts
100	Ω	100	Ω
+9 to +13	VDC	+9 to +13	VDC
.5 to 1.5	Sec	.5 to 1.5	Sec
10	GΩ, min	10	GΩ, min
IEEE 1451.4		IEEE 1451.4	

This family also includes:

Model	Sensitivity (mV/g)	Frequency Response (Hz)	Time Constant (Sec)	Operating Temp (°F)
3056D1T	10	1 to 10000	0.5 to 1.5	-60 to +250
3056D2T	100	1 to 10000	0.5 to 1.5	-60 to +250
3056D3T	500	1 to 10000	0.5 to 1.5	-60 to +225
3056D4T	20	1 to 10000	0.5 to 1.5	-60 to +250
3056D5T	50	1 to 10000	0.5 to 1.5	-60 to +250
3056D6T	200	1 to 10000	0.5 to 1.5	-60 to +225
3056D8T	5	1 to 10000	0.5 to 1.5	-60 to +250

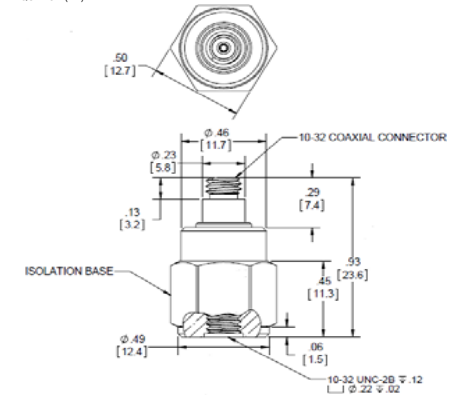
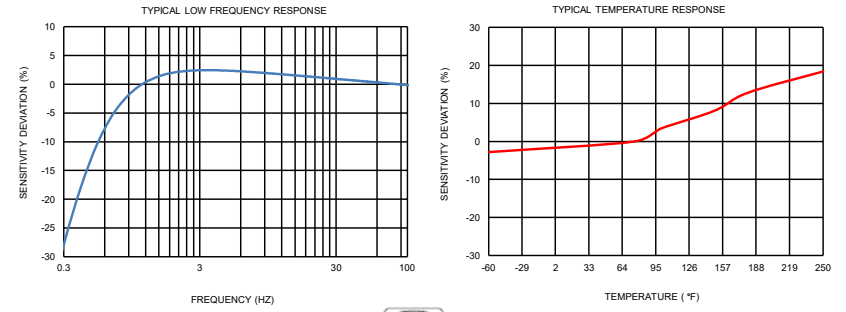
Refer to the performance specifications of the products in this family for detailed description

Supplied Accessories:

- 1) Accredited calibration certificate (ISO 17025)
- 2) Model 6200 mounting stud, QTY 1

Notes:

- [1] Measured at 100Hz, 1 Grms per ISA RP 37.2.
 - [2] Measured using zero-based straight line method, % of F.S. or any lesser range.
 - [3] Do not apply power to this system without current limiting, 20 mA MAX. To do so will destroy the IC charge amplifier.
 - [4] In the interest of constant product improvement, we reserve the right to change specifications without notice.
- It is the customer's responsibility to validate that a particular product with the properties described in the product specification is suitable for use in a particular application. Parameters provided in datasheets and / or specifications may vary in different applications and performance may vary overtime. All operating parameters, including typical parameters, must be validated for each customer application by the customer's technical experts.



Units on the line drawing are in inches, units in brackets are in millimeters. Refer to 127-3056DT for more information.

