

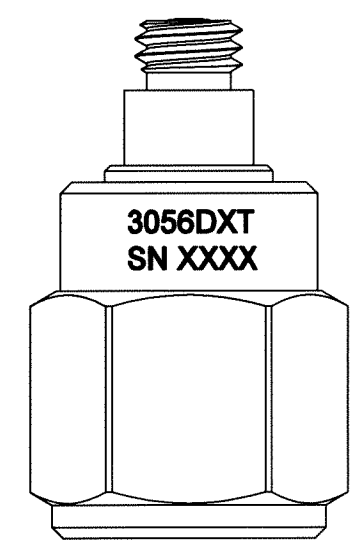
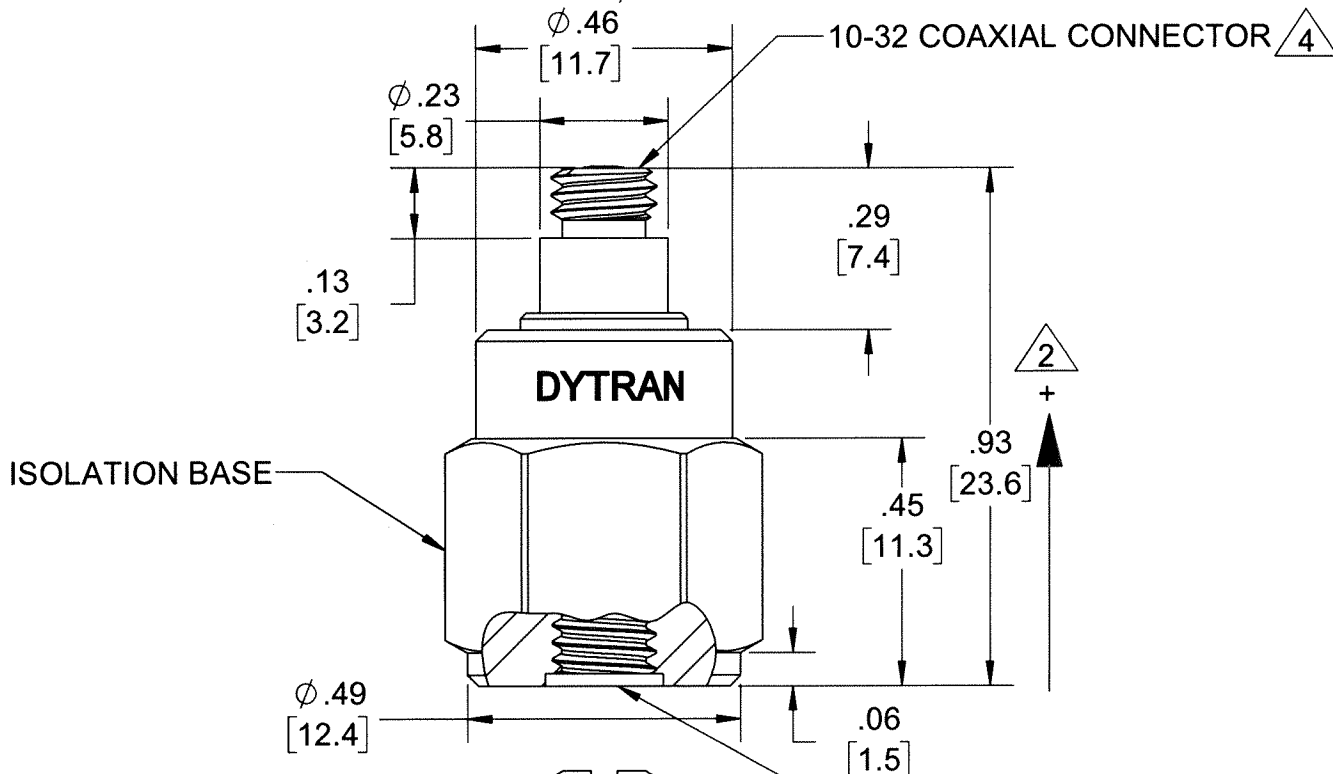
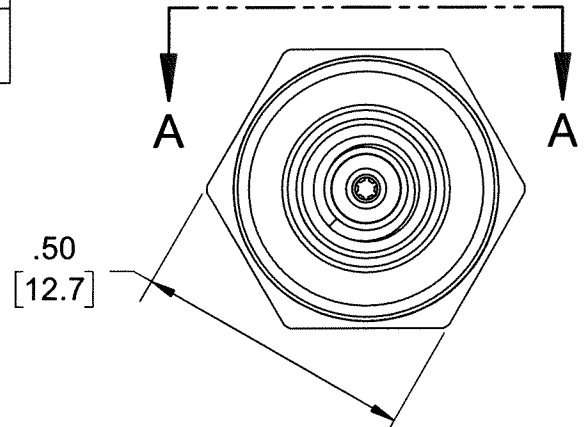
PROPRIETARY AND CONFIDENTIAL

THE INFORMATION CONTAINED IN THIS DRAWING IS THE SOLE PROPERTY OF DYTRAN INSTRUMENTS INC. ANY REPRODUCTION IN PART OR AS A WHOLE WITHOUT THE WRITTEN PERMISSION OF DYTRAN INSTRUMENTS INC. IS PROHIBITED

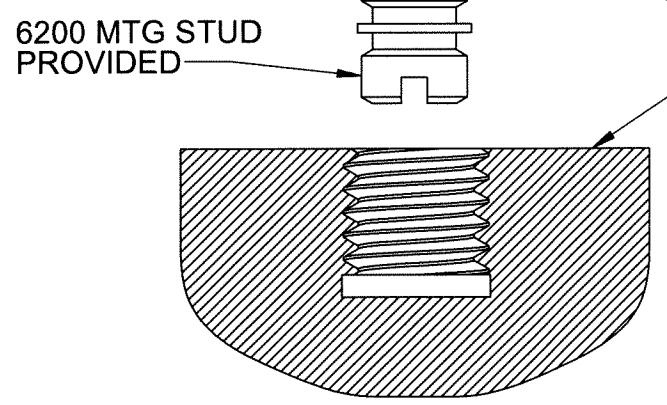
| MODEL   | SENSITIVITY |
|---------|-------------|
| 3056D1T | 10 mV/g     |
| 3056D2T | 100 mV/g    |
| 3056D3T | 500 mV/g    |
| 3056D4T | 20 mV/g     |
| 3056D5T | 50 mV/g     |
| 3056D6T | 200 mV/g    |
| 3056D7T | 1 mV/g      |
| 3056D8T | 5 mV/g      |

REVISIONS

| REV. | ECN   | DESCRIPTION                            | BY/DATE         | CHK | APPR |
|------|-------|--|-----------------|-----|------|
| A    | 11394 | INITIAL RELEASE                        | RA<br>11/06/14  | EM  | DV   |
| B    | 11983 | ADDED 3056D7T & D8T                    | LA<br>05/18/15  | RT  | DV   |
| C    | 12426 | ADDED VIEW A-A, REMOVED ISOMETRIC VIEW | RA,<br>01/06/16 | EM  | LN   |
| D    | 14310 | ZONE B3 10-32 UNF WAS: 1032 UNC        | RA,<br>07/10/18 | W   | MH   |



VIEW A-A  
ROTATED 180°



**MOUNTING SURFACE HOLE PREPARATION:**  
SELECT SURFACE FLAT TO .001 TIR  
TAP 10-32 UNF-2B X .200 MIN THD DEPTH

- 4 MATES WITH DYTRAN 6010AXX OR 6011AXX CABLE (XX=LENGTH IS FEET)
  - 3. WEIGHT: 10 GRAMS (APPROX)
  - 2 ARROW INDICATES ACCELERATION DIRECTION FOR POSITIVE OUTPUT.
  - 1. MATERIAL: TITANIUM ALLOY
- NOTES: UNLESS OTHERWISE SPECIFIED

UNLESS OTHERWISE SPECIFIED: INTERPRET DIM & TOL PER ASME Y14.5M - 1994. REMOVE BURRS. COUNTERSINK INTERNAL THDS 90° TO MAJOR DIA. CHAM EXT THDS 45° TO MINOR DIA. THD LENGTHS AND DEPTHS ARE FOR MIN FULL THDS. DIMENSIONS APPLY AFTER FINISHING.

UNLESS OTHERWISE SPECIFIED: DIMENSIONS ARE IN INCHES. TOLERANCES ARE:

| DECIMALS   | METRIC    | ANGLES |
|------------|-----------|--------|
| .XX ±.03   | X ± 0.8   | ±1°    |
| .XXX ±.010 | .XX ±0.25 |        |

| APPROVALS |    | DATE     |
|-----------|----|----------|
| ORIG      | RA | 10/29/14 |
| CHK       | EM | 12/12/14 |
| APP       | DV | 12/17/14 |

ALL MACHINED SURFACES:  $\sqrt{63}$   
TOTAL RUNOUT WITHIN .005.  
BREAK SHARP EDGES .005 TO .010.  
MACHINED FILLET RADII .005 TO .015.  
WELDING SYMBOLS PER AWS A2.4.  
ABBREVIATIONS PER MIL-STD-12.

DO NOT SCALE DRAWING

**DYTRAN INSTRUMENTS, INC.** Chatsworth, CA

**MASTER ONLY IF IN RED**

TITLE: **OUTLINE/INSTALLATION, MODEL 3056DXT**

|               |                        |                          |              |
|---------------|------------------------|--------------------------|--------------|
| SIZE <b>B</b> | CAGE CODE <b>2W033</b> | DWG NO <b>127-3056DT</b> | REV <b>D</b> |
| SCALE: 3:1    | PART NO:               | SHEET 1 OF 1             |              |



- HERMETICALLY SEALED
- BASE ISOLATED
- TEDS

**PHYSICAL**

Weight  
Connector Type  
Mounting Provision  
Material, Housing/Connector  
Sensing Element  
Element Style

| ENGLISH        |    | SI             |       |
|----------------|----|----------------|-------|
| 0.35           | oz | 10             | grams |
| 10-32          |    | 10-32          |       |
| 10-32 X .150 ↓ |    | 10-32 X .150 ↓ |       |
| Titanium       |    | Titanium       |       |
| Ceramic        |    | Ceramic        |       |
| Planar Shear   |    | Planar Shear   |       |

**PERFORMANCE**

Sensitivity, ±5% [1]  
Range for ± 5 Volts Output  
Frequency Response, ±10%  
Resonant Frequency  
Broad Band Resolution  
Linearity [2]  
Maximum Transverse Sensitivity  
Strain Sensitivity @ 250µε

|             |        |             |                      |
|-------------|--------|-------------|----------------------|
| 200         | mV/G   | 20.4        | mV/m/s <sup>2</sup>  |
| 25          | G peak | 245         | m/s <sup>2</sup>     |
| 1 to 10,000 | Hz     | 1 to 10,000 | Hz                   |
| > 36        | kHz    | > 36        | kHz                  |
| 0.0003      | G rms  | 0.0029      | m/s <sup>2</sup> rms |
| ±1          | % F.S. | ±1          | % F.S.               |
| 5           | %      | 5           | %                    |
| 0.001       | G/µε   | 0.01        | m/s <sup>2</sup> /µε |

**ENVIRONMENTAL**

Maximum Vibration  
Maximum Shock  
Operating Temperature Range  
TEDS Operating Temperature  
Seal

|             |        |            |                       |
|-------------|--------|------------|-----------------------|
| 300         | G peak | 2943       | m/s <sup>2</sup> peak |
| 2000        | G peak | 19620      | m/s <sup>2</sup> peak |
| -60 to +225 | °F     | -51 to 107 | °C                    |
| -40 to +185 | °F     | -40 to +85 | °C                    |
| HERMETIC    |        | HERMETIC   |                       |

**ELECTRICAL**

Supply Current Range [3]  
Compliance Voltage Range  
Output Impedance, Typ  
Bias Voltage  
Discharge Time Constant  
Electrical Isolation  
TEDS

|             |        |             |        |
|-------------|--------|-------------|--------|
| 2 to 20     | mA     | 2 to 20     | mA     |
| +18 to +30  | Volts  | +18 to +30  | Volts  |
| 100         | Ω      | 100         | Ω      |
| +9 to +13   | VDC    | +9 to +13   | VDC    |
| .5 to 1.5   | Sec    | .5 to 1.5   | Sec    |
| 10          | GΩ,min | 10          | GΩ,min |
| IEEE 1451.4 |        | IEEE 1451.4 |        |

**This family also includes:**

| Model   | Sensitivity (mV/g) | Frequency Response (Hz) | Time Constant (Sec) | Operating Temp (°F) |
|---------|--------------------|-------------------------|---------------------|---------------------|
| 3056D1T | 10                 | 1 to 10000              | 0.5 to 1.5          | -60 to +250         |
| 3056D2T | 100                | 1 to 10000              | 0.5 to 1.5          | -60 to +250         |
| 3056D3T | 500                | 1 to 10000              | 0.5 to 1.5          | -60 to +225         |
| 3056D4T | 20                 | 1 to 10000              | 0.5 to 1.5          | -60 to +250         |
| 3056D5T | 50                 | 1 to 10000              | 0.5 to 1.5          | -60 to +250         |
| 3056D7T | 1                  | 1 to 10000              | 0.5 to 1.5          | -60 to +250         |
| 3056D8T | 5                  | 1 to 10000              | 0.5 to 1.5          | -60 to +250         |

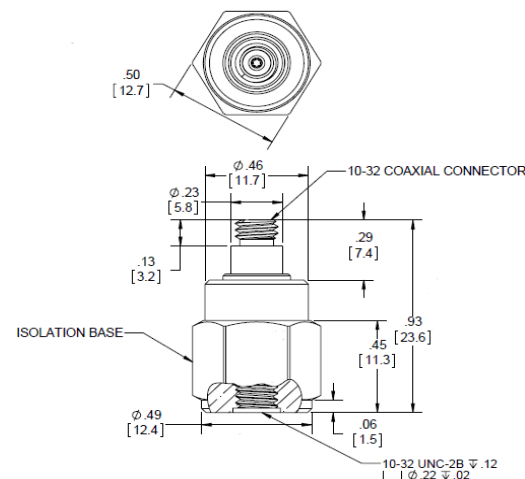
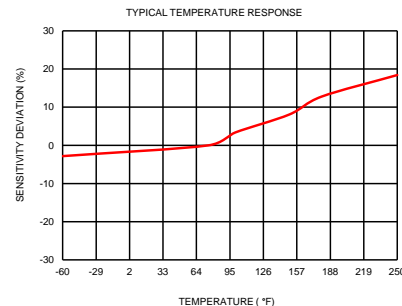
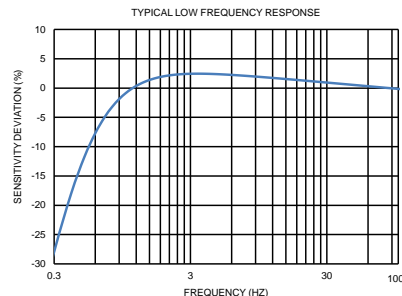
Refer to the performance specifications of the products in this family for detailed description

**Supplied Accessories:**

- 1) Accredited calibration certificate (ISO 17025)
- 2) Model 6200 mounting stud, QTY 1

**Notes:**

- [1] Measured at 100Hz, 1 Grms per ISA RP 37.2.
- [2] Measured using zero-based straight line method, % of F.S. or any lesser range.
- [3] Do not apply power to this system without current limiting, 20 mA MAX. To do so will destroy the IC charge amplifier.
- [4] In the interest of constant product improvement, we reserve the right to change specifications without notice.



Units on the line drawing are in inches, units in brackets are in millimeters. Refer to 127-3056DT for more information.

