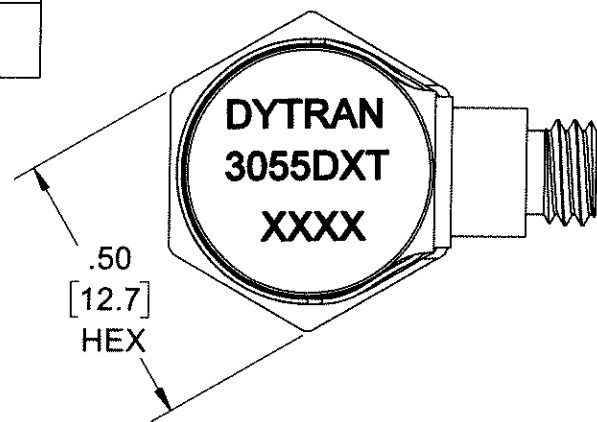


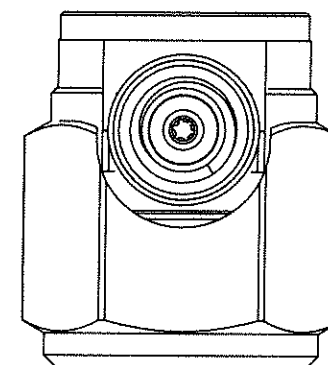
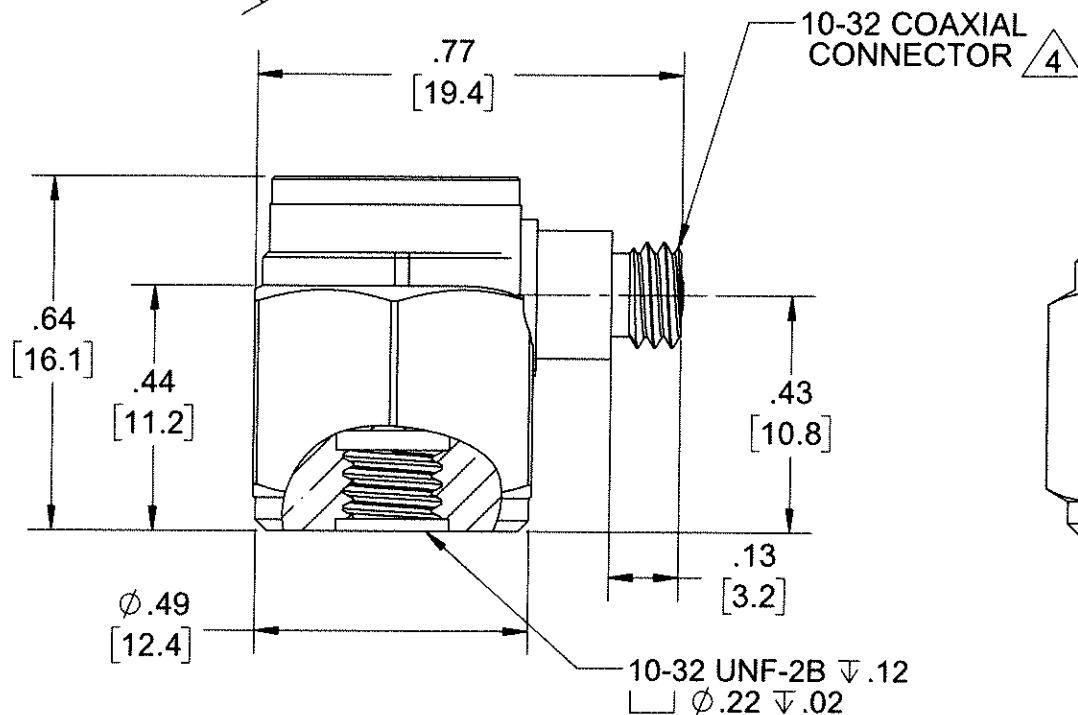
PROPRIETARY AND CONFIDENTIAL

THE INFORMATION CONTAINED IN THIS DRAWING IS THE SOLE PROPERTY OF DYTRAN INSTRUMENTS INC. ANY REPRODUCTION IN PART OR AS A WHOLE WITHOUT THE WRITTEN PERMISSION OF DYTRAN INSTRUMENTS INC. IS PROHIBITED

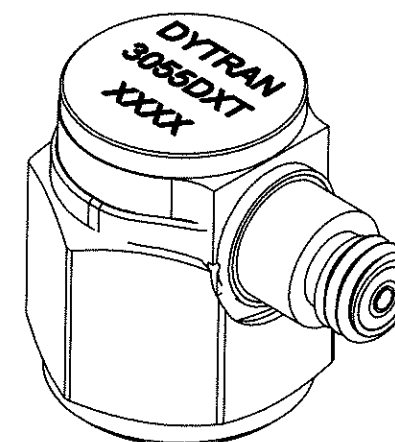
MODEL	SENSITIVITY
3055D1T	10 mV/g
3055D2T	100 mV/g
3055D3T	500 mV/g
3055D4T	50 mV/g
3055D5T	20 mV/g
3055D6T	200 mV/g
3055D11T	1 mV/g
3055D12T	5 mV/g



REVISIONS					
REV.	ECN	DESCRIPTION	BY/DATE	CHK	APPR
A	11394	INITIAL RELEASE	RA, 11/06/14	EM	DV
B	11983	ADDED 3055D5T	LA 05/18/15	RT	DV
C	14310	ZONE B3 10-32 UNF WAS 10-32 UNC	DA, 6/27/18	RA	LN
D	14550	INITIAL RELEASE OF 3055D11T & 3055D12T, SAME AS C1	DP 10/02/18	RA	W



ISOLATION CUP



10-32 UNF-2B ∇ .12
Ø.22 ∇ .02

6200 MTG STUD PROVIDED

MOUNTING SURFACE HOLE PREPARATION:
SELECT SURFACE FLAT TO .001 TIR
TAP 10-32 UNF-2B X .200 MIN THD DEPTH

4 MATES WITH DYTRAN 6010AXX OR 6011AXX CABLE (XX=LENGTH IS FEET)

3. WEIGHT: 10 GRAMS, MAX.

2 ARROW INDICATES ACCELERATION DIRECTION FOR POSITIVE OUTPUT.

1. MATERIAL: TITANIUM ALLOY

NOTES: UNLESS OTHERWISE SPECIFIED

UNLESS OTHERWISE SPECIFIED:
INTERPRET DIM & TOL PER ASME Y14.5M - 1994.
REMOVE BURRS.
COUNTERSINK INTERNAL THDS 90° TO MAJOR DIA.
CHAM EXT THDS 45° TO MINOR DIA.
THD LENGTHS AND DEPTHS ARE FOR MIN FULL THDS.
DIMENSIONS APPLY AFTER FINISHING.

ALL MACHINED SURFACES. \checkmark
TOTAL RUNOUT WITHIN .005.
BREAK SHARP EDGES .005 TO .010.
MACHINED FILLET RADII .005 TO .015.
WELDING SYMBOLS PER AWS A2.4.
ABBREVIATIONS PER MIL-STD-12.

UNLESS OTHERWISE SPECIFIED:
DIMENSIONS ARE IN INCHES.
TOLERANCES ARE:

DECIMALS	METRIC	ANGLES
.XX \pm .03	X \pm 0.8	\pm 1°
.XXX \pm .010	XX \pm 0.25	

APPROVALS		DATE
ORIG	RA	05/29/14
CHK	EM	11/06/14
APP	DV	12/17/14

DO NOT SCALE DRAWING



TITLE: **OUTLINE/INSTALLATION, ACCEL, ISOLATED, 10 MV/G, SIDE 10-32 CONN**

SIZE	CAGE CODE	DWG NO	REV
B	2W033	127-3055DT	D

SCALE: 3:1 PART NO: SHEET 1 OF 1

Model Number 3055D5T	PERFORMANCE SPECIFICATIONS	DOC NO PS3055D5T
--------------------------------	-----------------------------------	----------------------------

IEPE ACCELEROMETER

REV D, ECN 12776, 06/24/16



- HERMETICALLY SEALED
- BASE ISOLATED
- IDEAL LOW FREQUENCY RESPONSE
- TEDS

This family also includes:

Model	Sensitivity (mV/g)	Frequency Response (Hz)	Time Constant (Sec)	Operating Temp (°F)
3055D1T	10	1 to 10000	0.5 to 1.5	-60 to +250
3055D2T	100	1 to 10000	0.5 to 1.5	-60 to +250
3055D3T	500	1 to 10000	0.5 to 1.5	-60 to +225
3055D4T	50	1 to 10000	0.5 to 1.5	-60 to +250
3055D6T	200	1 to 10000	0.5 to 1.5	-60 to +225

Refer to the performance specifications of the products in this family for detailed description

Supplied Accessories:

- 1) Accredited calibration certificate (ISO 17025)
- 2) Model 6200 mounting stud, qty 1

Notes:

- [1] Measured at 100Hz, 1 Grms per ISA RP 37.2.
- [2] Measure using zero-based straight line method, % of F.S. or any lesser range.
- [3] Do not apply power to this system without current limiting, 20 mA MAX. To do so will destroy the IC charge amplifier.
- [4] In the interest of constant product improvement, we reserve the right to change specifications without notice.

PHYSICAL

Weight
Connector
Mounting Provision
Material, Housing/Connector
Sensing Element
Element Style

ENGLISH		SI	
Weight	0.35 oz	Weight	10 grams
Connector Type	10-32	Connector Type	10-32
Mounting Provision	10-32 X .150 ↓	Mounting Provision	10-32 X .150 ↓
Material, Housing/Connector	Titanium	Material, Housing/Connector	Titanium
Sensing Element	Ceramic	Sensing Element	Ceramic
Element Style	Planar Shear	Element Style	Planar Shear

PERFORMANCE

Sensitivity, ± 5% [1]
Range for ± 5 Volts Output
Frequency Response, ± 10%
Resonant Frequency
Broad Band Resolution
Linearity [2]
Maximum Transverse sensitivity
Strain Sensitivity @ 250µε

Sensitivity, ± 5% [1]	20 mV/g	Sensitivity, ± 5% [1]	2 mV/m/s ²
Range for ± 5 Volts Output	250 g	Range for ± 5 Volts Output	2453 m/s ²
Frequency Response, ± 10%	1 to 10000 Hz	Frequency Response, ± 10%	1 to 10000 Hz
Resonant Frequency	> 36 kHz	Resonant Frequency	> 36 kHz
Broad Band Resolution	0.003 Grms	Broad Band Resolution	0.03 m/s ² rms
Linearity [2]	± 1 % F.S.	Linearity [2]	± 1 % F.S.
Maximum Transverse sensitivity	5 %	Maximum Transverse sensitivity	5 %
Strain Sensitivity @ 250µε	0.002 g/µε	Strain Sensitivity @ 250µε	0.02 m/s ² /µε

ENVIRONMENTAL

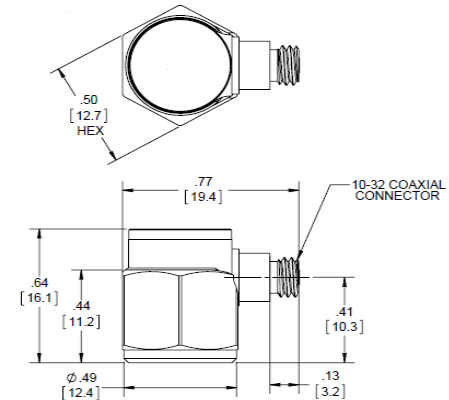
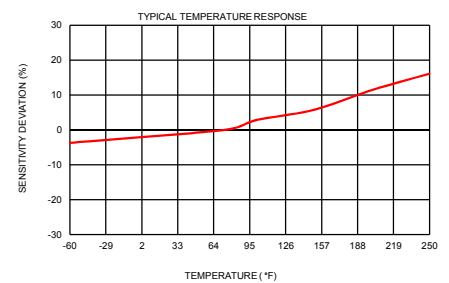
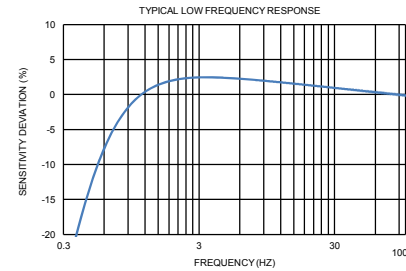
Maximum Vibration
Maximum Shock
Operating Temperature Range
TEDS Operating Temperature
Seal

Maximum Vibration	600 Gpeak	Maximum Vibration	5886 m/s ² peak
Maximum Shock	2000 Gpeak	Maximum Shock	19620 m/s ² peak
Operating Temperature Range	-60 to +225 °F	Operating Temperature Range	-51 to 107 °C
TEDS Operating Temperature	-40 to +185 °F	TEDS Operating Temperature	-40 to +85 °C
Seal	Hermetic	Seal	Hermetic

ELECTRICAL

Supply Current Range [3]
Compliance Voltage Range
Output Impedence, Typ
Bias Voltage
Discharge Time Constant
Electrical Isolation
TEDS

Supply Current Range [3]	2 to 20 mA	Supply Current Range [3]	2 to 20 mA
Compliance Voltage Range	+18 to +30 Volts	Compliance Voltage Range	+18 to +30 Volts
Output Impedence, Typ	100 Ω	Output Impedence, Typ	100 Ω
Bias Voltage	11 to 13 VDC	Bias Voltage	11 to 13 VDC
Discharge Time Constant	0.5 to 1.5 Sec	Discharge Time Constant	0.5 to 1.5 Sec
Electrical Isolation	10 GΩ, min	Electrical Isolation	10 GΩ, min
TEDS	IEEE 1451.4	TEDS	IEEE 1451.4



Units on the line drawing are in inches, units in brackets are in millimeters. Refer to 127-3055DT for more information.



21592 Marilla Street, Chatsworth, California 91311 Phone: 818.700.7818 Fax: 818.700.7880 www.dytran.com
For permission to reprint this content, please contact info@dytran.com