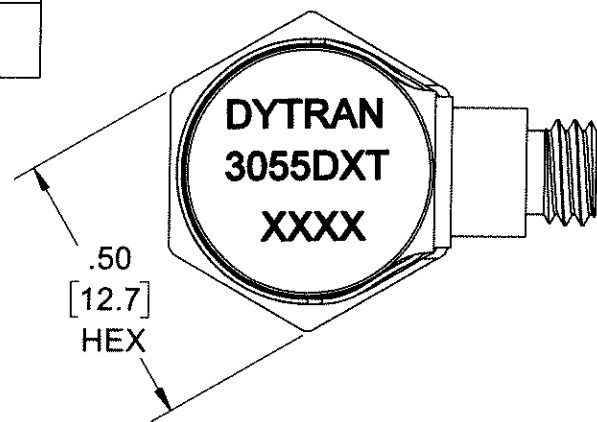


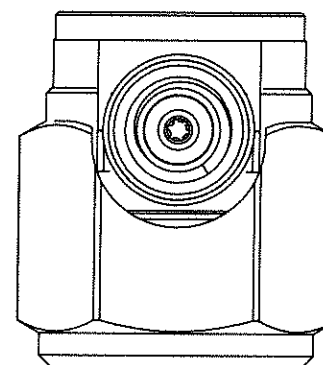
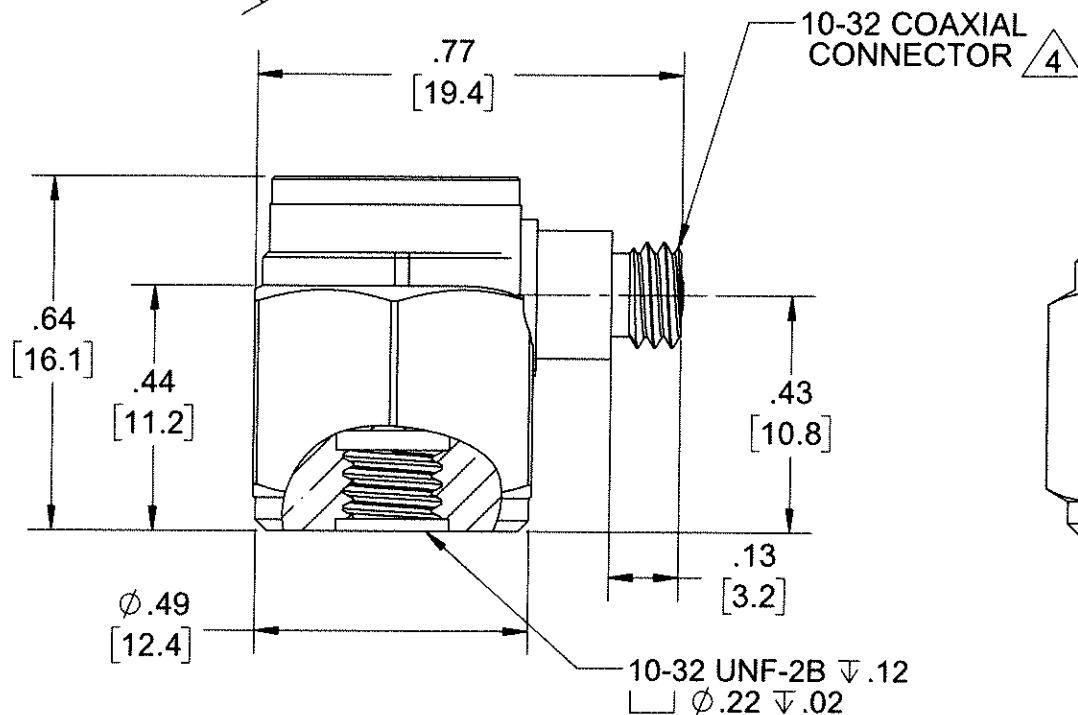
PROPRIETARY AND CONFIDENTIAL

THE INFORMATION CONTAINED IN THIS DRAWING IS THE SOLE PROPERTY OF DYTRAN INSTRUMENTS INC. ANY REPRODUCTION IN PART OR AS A WHOLE WITHOUT THE WRITTEN PERMISSION OF DYTRAN INSTRUMENTS INC. IS PROHIBITED

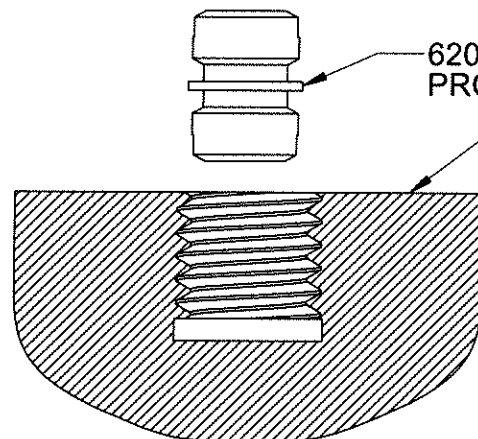
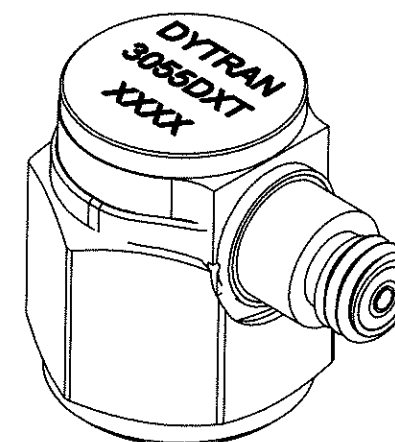
MODEL	SENSITIVITY
3055D1T	10 mV/g
3055D2T	100 mV/g
3055D3T	500 mV/g
3055D4T	50 mV/g
3055D5T	20 mV/g
3055D6T	200 mV/g
3055D11T	1 mV/g
3055D12T	5 mV/g



REVISIONS					
REV.	ECN	DESCRIPTION	BY/DATE	CHK	APPR
A	11394	INITIAL RELEASE	RA, 11/06/14	EM	DV
B	11983	ADDED 3055D5T	LA 05/18/15	RT	DV
C	14310	ZONE B3 10-32 UNF WAS 10-32 UNC	DA, 6/27/18	RA	LN
D	14550	INITIAL RELEASE OF 3055D11T & 3055D12T, SAME AS C1	DP 10/02/18	RA	W



ISOLATION CUP



MOUNTING SURFACE HOLE PREPARATION: SELECT SURFACE FLAT TO .001 TIR TAP 10-32 UNF-2B X .200 MIN THD DEPTH

4 MATES WITH DYTRAN 6010AXX OR 6011AXX CABLE (XX=LENGTH IS FEET)

3. WEIGHT: 10 GRAMS, MAX.

2 ARROW INDICATES ACCELERATION DIRECTION FOR POSITIVE OUTPUT.

1. MATERIAL: TITANIUM ALLOY

NOTES: UNLESS OTHERWISE SPECIFIED

UNLESS OTHERWISE SPECIFIED: INTERPRET DIM & TOL PER ASME Y14.5M - 1994. REMOVE BURRS. COUNTERSINK INTERNAL THDS 90° TO MAJOR DIA. CHAM EXT THDS 45° TO MINOR DIA. THD LENGTHS AND DEPTHS ARE FOR MIN FULL THDS. DIMENSIONS APPLY AFTER FINISHING.		UNLESS OTHERWISE SPECIFIED: DIMENSIONS ARE IN INCHES. TOLERANCES ARE: DECIMALS .XX ±.03 .XXX ±.010 METRIC X ± 0.8 XX ± 0.25 ANGLES ±1°			
APPROVALS		DATE		TITLE: OUTLINE/INSTALLATION, ACCEL, ISOLATED, 10 MV/G, SIDE 10-32 CONN	
ORIG	RA	05/29/14		SIZE	CAGE CODE
CHK	EM	11/06/14		B	2W033
APP	DV	12/17/14		DWG NO	127-3055DT
DO NOT SCALE DRAWING		THIRD ANGLE PROJECTION		SCALE:	3:1
				PART NO:	
				SHEET 1 OF 1	

Model Number 3055D3T	PERFORMANCE SPECIFICATIONS	DOC NO PS3055D3T
	IEPE ACCELEROMETER	REV G, ECN 13042, 10/31/16



- HERMETICALLY SEALED
- BASE ISOLATED
- IDEAL LOW FREQUENCY RESPONSE
- TEDS

PHYSICAL
 Weight
 Connector Type
 Mounting Provision Tapped Hole
 Material, Housing/Connector Titanium
 Sensing Element Ceramic
 Element Style Planar Shear

ENGLISH		SI	
0.35	oz	10	grams
10-32		10-32	
10-32 X .150 ↓		10-32 X .150 ↓	
Titanium		Titanium	
Ceramic		Ceramic	
Planar Shear		Planar Shear	

PERFORMANCE
 Sensitivity, ± 5% [1]
 Range for ± 5 Volts Output
 Frequency Response, ± 5%
 Frequency Response, ± 10%
 Resonant Frequency
 Broad Band Resolution
 Spectral Noise
 1Hz
 10Hz
 100Hz
 1000Hz
 Linearity [2]
 Maximum Transverse sensitivity
 Strain Sensitivity @ 250µε

500	mV/g	51	mV/m/s ²
10	g	98	m/s ²
1 to 5000	Hz	1 to 5000	Hz
1 to 10000	Hz	1 to 10000	Hz
> 36	kHz	> 36	kHz
0.00015	Grms	0.001	m/s ² rms
6.8	µGrms/√(Hz)	67	µm/s ² rms/√(Hz)
5.5	µGrms/√(Hz)	54	µm/s ² rms/√(Hz)
2.5	µGrms/√(Hz)	25	µm/s ² rms/√(Hz)
1.2	µGrms/√(Hz)	12	µm/s ² rms/√(Hz)
± 1	% F.S.	± 1	% F.S.
5	%	5	%
0.002	g/µε	0.02	m/s ² /µε

ENVIRONMENTAL
 Maximum Vibration
 Maximum Shock
 Temperature Range (<3% Sensitivity Deviation)
 Operating Temperature Range
 Temperature Range (Storage)
 TEDS Operating Temperature
 Seal

200	Gpeak	1962	m/s ² peak
5000	Gpeak	49050	m/s ² peak
+50 to +100	°F	+10 to +38	°C
-60 to +225	°F	-51 to 107	°C
-67 to +250	°F	-55 to 121	°C
-40 to +185	°F	-40 to +85	°C
Hermetic		Hermetic	

ELECTRICAL
 Supply Current Range [3]
 Compliance Voltage Range
 Output Impedence, Typ
 Bias Voltage
 Discharge Time Constant
 Electrical Isolation
 TEDS

2 to 20	mA	2 to 20	mA
18 to +30	Volts	18 to +30	Volts
100	Ω	100	Ω
11 to 13	VDC	11 to 13	VDC
0.5 to 1.5	Sec	0.5 to 1.5	Sec
10	GΩ, min	10	GΩ, min
IEEE 1451.4		IEEE 1451.4	

This family also includes:

Model	Sensitivity (mV/g)	Frequency Response (Hz)	Time Constant (Sec)	Operating Temp (°F)
3055D1T	10	1 to 10000	0.5 to 1.5	-60 to +250
3055D2T	100	1 to 10000	0.5 to 1.5	-60 to +250
3055D4T	50	1 to 10000	0.5 to 1.5	-60 to +250
3055D5T	20	1 to 10000	0.5 to 1.5	-60 to +250
3055D6T	200	1 to 10000	0.5 to 1.5	-60 to +225

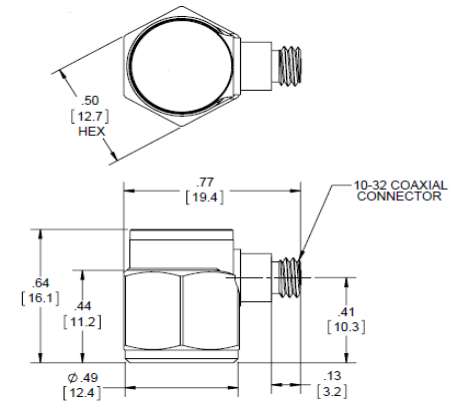
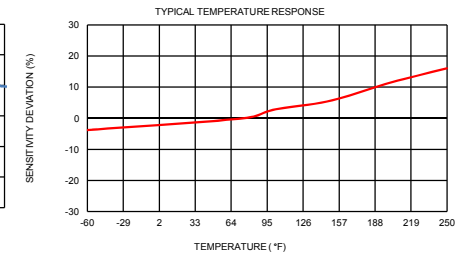
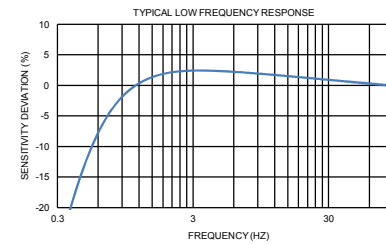
Refer to the performance specifications of the products in this family for detailed description

Supplied Accessories:

- 1) Accredited calibration certificate (ISO 17025)
- 2) Model 6200 mounting stud, qty 1

Notes:

- [1] Measured at 100Hz, 1 Grms per ISA RP 37.2.
- [2] Measure using zero-based straight line method, % of F.S. or any lesser range.
- [3] Do not apply power to this system without current limiting, 20 mA MAX. To do so will destroy the IC charge amplifier.
- [4] In the interest of constant product improvement, we reserve the right to change specifications without notice.



Units on the line drawing are in inches, units in brackets are in millimeters. Refer to 127-3055DT for more information.



21592 Marilla Street, Chatsworth, California 91311 Phone: 818.700.7818 Fax: 818.700.7880 www.dytran.com
 For permission to reprint this content, please contact info@dytran.com