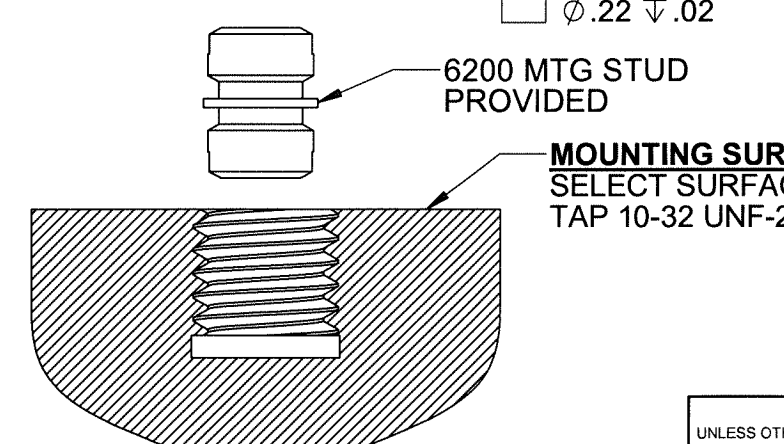
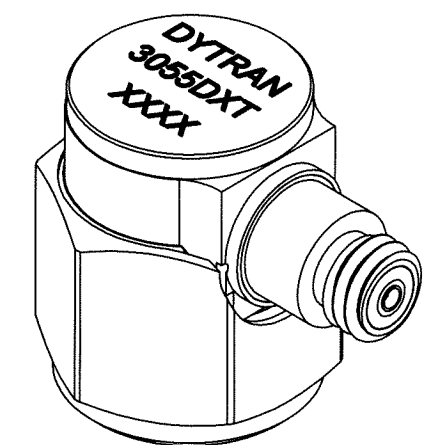
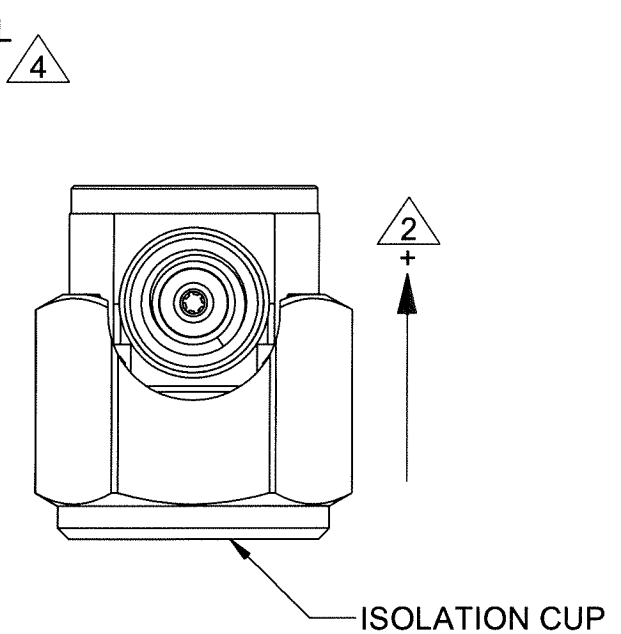
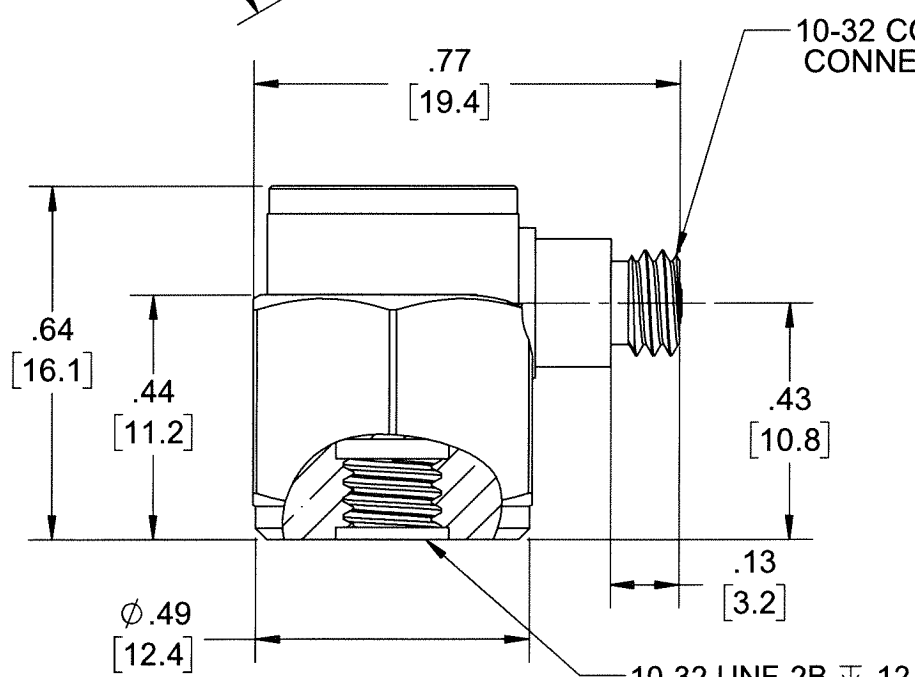
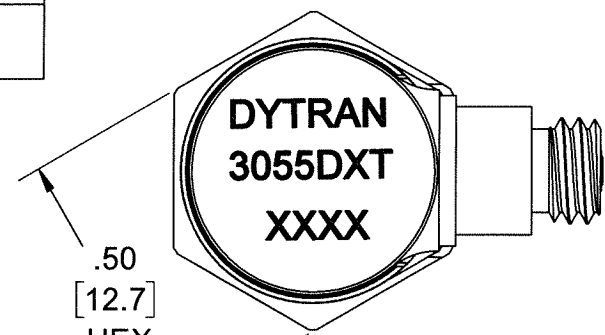


PROPRIETARY AND CONFIDENTIAL

THE INFORMATION CONTAINED IN THIS DRAWING IS THE SOLE PROPERTY OF DYTRAN INSTRUMENTS INC. ANY REPRODUCTION IN PART OR AS A WHOLE WITHOUT THE WRITTEN PERMISSION OF DYTRAN INSTRUMENTS INC. IS PROHIBITED

MODEL	SENSITIVITY
3055D1T	10 mV/g
3055D2T	100 mV/g
3055D3T	500 mV/g
3055D4T	50 mV/g
3055D5T	20 mV/g
3055D6T	200 mV/g

REVISIONS					
REV.	ECN	DESCRIPTION	BY/DATE	CHK	APPR
A	11394	INITIAL RELEASE	RA, 11/06/14	EM	DV
B	11983	ADDED 3055D5T	LA 05/18/15	RT	DV
C	14310	ZONE B3 10-32 UNF WAS 10-32 UNC	DA, 6/27/18	PA	W



4 MATES WITH DYTRAN 6010AXX OR 6011AXX CABLE (XX=LENGTH IS FEET)

3. WEIGHT: 10 GRAMS, MAX.

2 ARROW INDICATES ACCELERATION DIRECTION FOR POSITIVE OUTPUT.

1. MATERIAL: TITANIUM ALLOY

NOTES: UNLESS OTHERWISE SPECIFIED

<small>UNLESS OTHERWISE SPECIFIED: INTERPRET DIM & TOL PER ASME Y14.5M - 1994. REMOVE BURRS. COUNTERSINK INTERNAL THDS 90° TO MAJOR DIA. CHAM EXT THDS 45° TO MINOR DIA. THD LENGTHS AND DEPTHS ARE FOR MIN FULL THDS. DIMENSIONS APPLY AFTER FINISHING.</small>	<small>UNLESS OTHERWISE SPECIFIED: DIMENSIONS ARE IN INCHES. TOLERANCES ARE:</small>				MASTER ONLY IF IN RED																											
	<small>DECIMALS .XX ±.03 .XXX ±.010</small>	<small>METRIC .X ± 0.8 .XX ±0.25</small>	<small>ANGLES ±1°</small>																													
	<table border="1"> <thead> <tr> <th colspan="2">APPROVALS</th> <th>DATE</th> </tr> </thead> <tbody> <tr> <td>ORIG</td> <td>RA</td> <td>05/29/14</td> </tr> <tr> <td>CHK</td> <td>EM</td> <td>11/06/14</td> </tr> <tr> <td>APP</td> <td>DV</td> <td>12/17/14</td> </tr> </tbody> </table>	APPROVALS				DATE	ORIG	RA	05/29/14	CHK	EM	11/06/14	APP	DV	12/17/14	<table border="1"> <tr> <td>TITLE:</td> <td colspan="2">OUTLINE/INSTALLATION, ACCEL, ISOLATED, 10 MV/G, SIDE 10-32 CONN</td> </tr> <tr> <td>SIZE</td> <td>CAGE CODE</td> <td>DWG NO</td> </tr> <tr> <td>B</td> <td>2W033</td> <td>127-3055DT</td> </tr> <tr> <td>SCALE:</td> <td>3:1</td> <td>PART NO:</td> </tr> <tr> <td></td> <td></td> <td>SHEET 1 OF 1</td> </tr> </table>		TITLE:	OUTLINE/INSTALLATION, ACCEL, ISOLATED, 10 MV/G, SIDE 10-32 CONN		SIZE	CAGE CODE	DWG NO	B	2W033	127-3055DT	SCALE:	3:1	PART NO:			SHEET 1 OF 1
	APPROVALS		DATE																													
ORIG	RA	05/29/14																														
CHK	EM	11/06/14																														
APP	DV	12/17/14																														
TITLE:	OUTLINE/INSTALLATION, ACCEL, ISOLATED, 10 MV/G, SIDE 10-32 CONN																															
SIZE	CAGE CODE	DWG NO																														
B	2W033	127-3055DT																														
SCALE:	3:1	PART NO:																														
		SHEET 1 OF 1																														
<small>ALL MACHINED SURFACES. 63/ TOTAL RUNOUT WITHIN .005. BREAK SHARP EDGES .005 TO .010. MACHINED FILLET RADII .005 TO .015. WELDING SYMBOLS PER AWS A2.4. ABBREVIATIONS PER MIL-STD-12.</small>	<small>DO NOT SCALE DRAWING</small>		<small>THIRD ANGLE PROJECTION USA</small>	<small>REV C</small>																												

Model Number 3055D2T	PERFORMANCE SPECIFICATIONS	DOC NO PS3055D2T
IEPE ACCELEROMETER		REV F, EGN 12776, 08/24/16



- HERMETICALLY SEALED
- BASE ISOLATED
- IDEAL LOW FREQUENCY RESPONSE
- TEDS

PHYSICAL

Weight
Connector Type
Mounting Provision
Material, Housing/Connector
Sensing Element
Element Style

ENGLISH		SI	
0.35	oz	10	grams
10-32		10-32	
10-32 X .150 ↓		10-32 X .150 ↓	
Titanium		Titanium	
Ceramic		Ceramic	
Planar Shear		Planar Shear	

PERFORMANCE

Sensitivity, ± 5% [1]
Range for ± 5 Volts Output
Frequency Response, ± 10%
Resonant Frequency
Broad Band Resolution
Linearity [2]
Maximum Transverse sensitivity
Strain Sensitivity @ 250µε

100	mV/g	10	mV/m/s ²
50	g	491	m/s ²
1 to 10000	Hz	1 to 10000	Hz
> 36	kHz	> 36	kHz
0.0004	Grms	0.004	m/s ² rms
± 1	% F.S.	± 1	% F.S.
5	%	5	%
0.002	g/µε	0.02	m/s ² /µε

ENVIRONMENTAL

Maximum Vibration
Maximum Shock
Operating Temperature Range
TEDS Operating Temperature
Seal

400	Gpeak	3924	m/s ² peak
2000	Gpeak	19620	m/s ² peak
-60 to +250	°F	-51 to 121	°C
-40 to +185	°F	-40 to +85	°C
Hermetic		Hermetic	

ELECTRICAL

Supply Current Range [3]
Compliance Voltage Range
Output Impedence, Typ
Bias Voltage
Discharge Time Constant
Electrical Isolation
TEDS

2 to 20	mA	2 to 20	mA
18 to +30	Volts	18 to +30	Volts
100	Ω	100	Ω
11 to 13	VDC	11 to 13	VDC
0.5 to 1.5	Sec	0.5 to 1.5	Sec
10	GΩ, min	10	GΩ, min
IEEE 1451.4		IEEE 1451.4	

This family also includes:

Model	Sensitivity (mV/g)	Frequency Response (Hz)	Time Constant (Sec)	Operating Temp (°F)
3055D1T	10	1 to 10000	0.5 to 1.5	-60 to +250
3055D3T	500	1 to 10000	0.5 to 1.5	-60 to +225
3055D4T	50	1 to 10000	0.5 to 1.5	-60 to +250
3055D5T	20	1 to 10000	0.5 to 1.5	-60 to +250
3055D6T	200	1 to 10000	0.5 to 1.5	-60 to +225

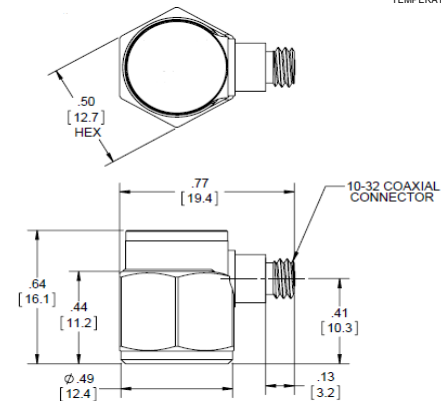
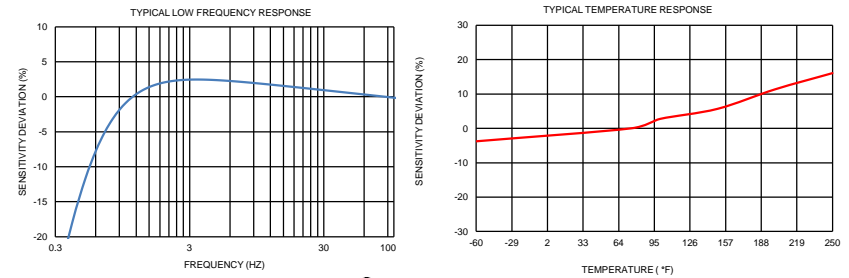
Refer to the performance specifications of the products in this family for detailed description

Supplied Accessories:

- 1) Accredited calibration certificate (ISO 17025)
- 2) Model 6200 mounting stud, qty 1

Notes:

- [1] Measured at 100Hz, 1 Grms per ISA RP 37.2.
- [2] Measure using zero-based straight line method, % of F.S. or any lesser range.
- [3] Do not apply power to this system without current limiting, 20 mA MAX. To do so will destroy the IC charge amplifier.
- [4] In the interest of constant product improvement, we reserve the right to change specifications without notice.



Units on the line drawing are in inches, units in brackets are in millimeters. Refer to 127-3055DT for more information.



21592 Marilla Street, Chatsworth, California 91311 Phone: 818.700.7818 Fax: 818.700.7880 www.dytran.com
For permission to reprint this content, please contact info@dytran.com