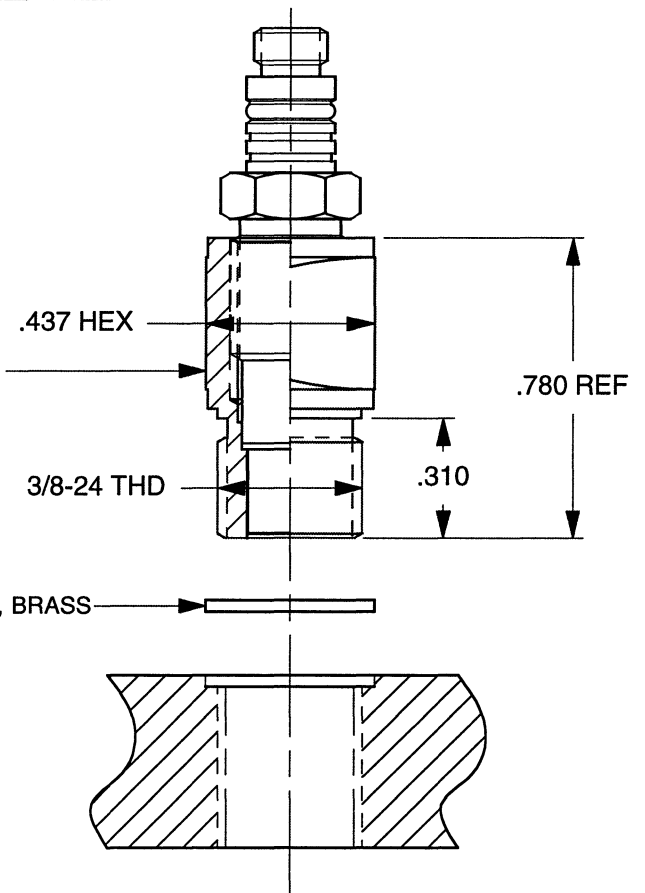
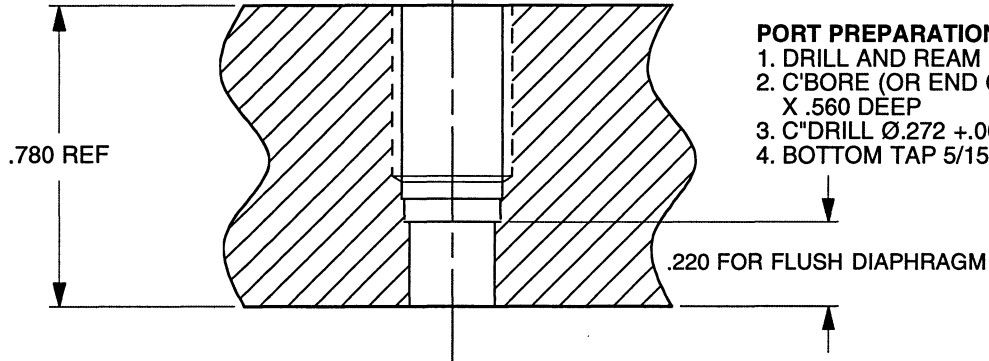


MODEL 6502 ADAPTOR SHOWN WITH 2200C PROBE INSTALLED



- PORT PREPARATION INSTRUCTIONS, 2200V 1**
1. DRILL AND REAM $\text{Ø} .221 +.001/-0.000$ THRU
 2. C'BORE (OR END CUTTING REAM) $1/4 (\text{Ø} .250)$ X $.560$ DEEP
 3. C'DRILL $\text{Ø} .272 +.003/-0.001$ X $.500$ DEEP
 4. BOTTOM TAP 5/15-24 UNF-2B X $.440$ MIN DEPTH

- PORT PREPARATION INSTRUCTIONS, 6502**
1. DRILL Q ($\text{Ø} .332$) THRU (OR $.450$ MIN DEPTH)
 2. TAP 3/8-24 UNF-2B X $.350$ MIN DEPTH
 3. C'BORE $\text{Ø} .437 +.003/-0.000$ X $.030$ DEEP



2. MOUNTING TORQUE FOR 6502 ADAPTOR: 50-60 LB-INCHES.
1. MOUNTING TORQUE FOR 2200C PROBE: 30 LB-INCHES.

DYTRAN INSTRUMENTS, INC.		MASTER ONLY IF IN RED		CHATSWORTH, CA.	
SCALE	2X	REV	-	DATE	-
DATE	1/22/04	PART NO.			
DRAWN	R.A.	CHECKED	N.C.	MAT'L	
APPROVED	126-04		NEXT ASSEMBLY	USED ON	
TITLE				DWG NO.	
OUTLINE/INSTALLATION DRAWING, MODEL 2200C				127-2200C	
				SHEET 1 OF 1	

MODEL NUMBER 2200C6	PERFORMANCE SPECIFICATION	DOC NO. PS2200C6
--------------------------------------	----------------------------------	-----------------------------------

CHARGE MODE PRESSURE SENSOR

REV A, ECN 14521, 09/20/18



- **WIDE TEMPERATURE RANGE**
- **ACCELERATION COMPENSATED**
- **MINIATURE SIZE**

PHYSICAL

	ENGLISH		SI	
Weight, Max	0.25	oz	7	grams
Mounting Provision	5/16 UNF-2A		5/16 UNF-2A	
Connector [1]	10-32 Coaxial	Type	10-32 Coaxial	
Material	17-4 PH	Body	17-4 PH	
	300 Series S.S.	Diaphragm	300 Series S.S.	

PERFORMANCE

	ENGLISH		SI	
Sensitivity (+20%, -15%)	1.1	pC/psi	0.16	pC/kPa
Calibrated Range	10,000	psi	68947.6	kPa
Minimum Rise Time of Input Pulse	2	µsec	2	µsec
Maximum Pressure	15,000	psi	103421	kPa
Mounted Resonant Frequency	>250	kHz	>250	kHz
Linearity [2]	±1	%F.S	±1	%F.S
Acceleration Sensitivity, Axial Direction [4]	0.002	psi/g	0.0014	kPa/m/s ²

ENVIRONMENTAL

	ENGLISH		SI	
Maximum Vibration	± 2500	g rms	24525	m/s ² rms
Maximum Shock	10000	g pk	98100	m/s ² pk
Temperature Range [3]	-100 to +500	°F	-73 to 260	°C
Thermal Coefficient Of Sensitivity	0.01	% / °F	0.018	% / °C
Environmental Seal	Epoxy		Epoxy	

ELECTRICAL

	ENGLISH		SI	
Capacitance, Nom.	16	pF	16	pF
Output Signal Polarity (Positive Pressure)	Negative		Negative	

This family also includes:

Model	Sensitivity (pC/psi)	Calibrated Range F.S. (psi)	Oper. Temp (°F)	Max Pressure (psi)
2200C1	1.1	100	-100 to +500	10,000
2200C2	1.1	500	-100 to +500	10,000
2200C4	1.1	1,000	-100 to +500	10,000
2200C5	1.1	5,000	-100 to +500	10,000
2200C7	1.1	15,000	-100 to +500	15,000

Refer to the performance specifications of the products in this family for detailed description.

NOTES:

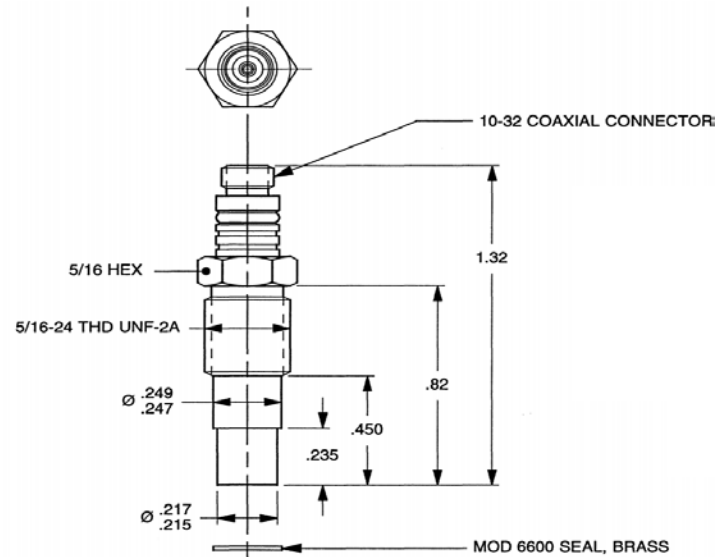
- [1] Connector mates with Dytran cable Model 6013AXX or 6019AXX (XX= Length in feet).
- [2] Percent full scale. Zero-based best-fit straight line method.
- [3] Maximum flash temperature, short duration (as in pyroshock event), 3000°F [1649°C]
- [4] Typical. Not to exceed 0.005 psi/g [0.0035 kPa/m/s²]

SUPPLIED ACCESSORIES:

- (2) Model 6600 Brass Seal

RECOMMENDED ACCESSORIES:

- (1) Model 4110C Current Source Power Unit
- (2) 4751B Series in-line charge amplifier (10-32 jack to 10-32 jack)
- (3) Model 6501 & 6502 mounting adapters



Dimensions in brackets are in millimeters. Refer to 127-2200C for more information.



21592 Marilla Street, Chatsworth, California 91311 Phone: 818.700.7818 Fax: 818.700.7880 www.dytran.com