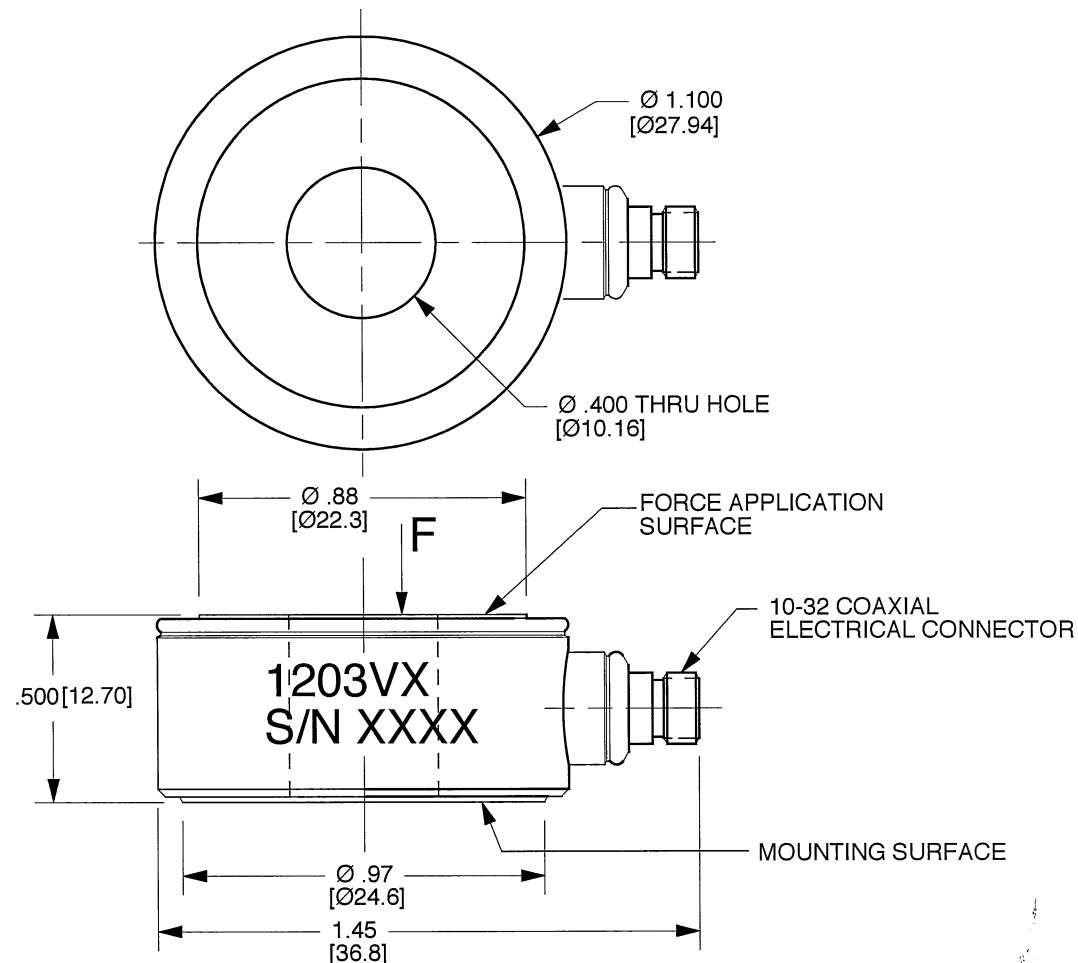


DYTRAN PROPRIETARY AND CONFIDENTIAL			
THE INFORMATION CONTAINED IN THIS DRAWING IS THE SOLE PROPERTY OF DYTRAN INSTRUMENTS, INC. AND ANY REPRODUCTION IN PART OR AS A WHOLE OR ANY OTHER DISSEMINATION OF THIS INFORMATION WITHOUT THE WRITTEN PERMISSION OF DYTRAN INSTRUMENTS, INC. IS PROHIBITED.			
MODEL	SENSITIVITY	TC (SEC)	RANGE F.S.
1203V1	50 mV/Lb	90	100 Lb
1203V2	10 mV/Lb	450	500 Lb
1203V3	5 mV/Lb	850	1000 Lb
1203V4	1 mV/Lb	1800	5000 Lb
1203V5	0.5 mV/Lb	1800	10,000 Lb

REV	ECN	DESCRIPTION	BY/DATE	CHK	APPR
A	8074	UPDATED FORMAT	RA, 11/17/11	JS	<i>[Signature]</i>



4. WEIGHT: 50 GRAMS.
3. ENVIRONMENTAL SEAL: HERMETIC.
2. MATERIAL: LOAD-BEARING SURFACES: HARDENED 17-4 PH STAINLESS STEEL. HOUSING AND CONNECTOR: 300 SERIES STAINLESS STEEL.
1. POLARITY: POSITIVE-GOING WITH COMPRESSION.

NOTES: UNLESS OTHERWISE SPECIFIED

USED ON	NEXT ASSY
APPLICATION	
THIRD ANGLE PROJECTION USA	

UNLESS OTHERWISE SPECIFIED:  
 INTERPRET DIM & TOL PER ASME  
 Y14.5M-1994. REMOVE BURRS  
 COUNTERSINKS INTERNAL THDS 90°  
 TO MAJOR DIA. CHAM EXT THDS 45°  
 TO MAJOR DIA. THD LENGTHS AND  
 DEPTHS ARE FOR THDS PER MIL-S-  
 7742.  
 DIMENSIONS APPLY AFTER  
 FINISHING.

63  
 ALL MACHINED SURFACES  
 TOTAL RUNOUT WITHIN .005 BREAK  
 SHARP EDGES .005 TO .010 MACHINE  
 FILLET RADI .005 TO .015. WELDING  
 SYMBOLS PER AWS A2.4  
 ABBREVIATIONS PER MIL-STD-12

CONTRACT NO		
UNLESS OTHERWISE SPECIFIED DIMENSIONS ARE IN INCHES. DIMENSION IN BRACKETS [ ] ARE IN MILLIMETERS. TOLERANCES ARE:		
INCHES .XX ±.03 .XXX ±.010	METRIC .X ± 0.8 .XX ± 0.25	ANGLES ± 1°
FINISH		
DO NOT SCALE DRAWING		

**MASTER ONLY IF IN RED**

CHATSWORTH, CA.

SCALE 2X	DESIGN NC	DATE 10-10-07		
DRAWN NC	DATE 12/17/01	PART NO. MODEL SERIES 1203V		
CHECKED R.A.	DATE 08/01/06	MAT'L -		REV A
APPROVED N.C.	DATE 08/01/06	NEXT ASSEMBLY -	USED ON SERIES 1203V	
TITLE <b>OUTLINE/INSTALLATION DRAWING, MODEL SERIES 1203V FORCE SENSORS</b>			DWG NO. <b>127-1203V</b>	
			SHEET 1 OF 1	



- RING STYLE FORCE SENSOR
- HERMETICALLY SEALED
- EXCELLENT LINEARITY

**PHYSICAL**

Weight, Max.		Type			
Connector [1]		Material			
Housing		Material			
Sensing Element		Isolation			
		Material			
		Mode			

ENGLISH		SI	
1.75	oz	50	grams
10-32		10-32	
Stainless steel		Stainless steel	
Stainless steel		Stainless steel	
Case grounded		Case grounded	
Quartz		Quartz	
Compression		Compression	

**PERFORMANCE**

Sensitivity, ± 10 %	0.5	mV/Lb	0.12	mV/N
Compression Range	10,000	Lb Force	44.48	kN
Maximum Compression	15,000	Lb Force	66.72	kN
Discharge Time Constant	1,800	Seconds	1800	Seconds
Broadband Resolution	0.00014	Lb, rms	6.23E-07	kN, rms
Maximum Unloaded Shock	10,000	g's	98,100	m/s^2
Maximum Unloaded Vibration	5,000	g's, Peak	49,050	m/s^2 Peak
Linearity [2]	± 1	% Full Scale	± 1	% Full Scale
Resonant Frequency	>75	kHz	>75	kHz
Stiffness	20	Lb/µin	3.46	kN/µm
Preload	2000	Lb Force	8.90	kN

**ENVIRONMENTAL**

Coefficient Of Thermal Sensitivity	0.03	%/°F	0.05	%/°C
Operating Temperature	-100 to +250	°F	-73 to +121	°C
Environmental Seal	Hermetic		Hermetic	

**ELECTRICAL**

Supply current	2 to 20	mA	2 to 20	mA
Voltage Range [3]	18 to 30	VDC	18 to 30	VDC
Full Scale Output Voltage	5	Volts	5	Volts
Output Impedence	<100	Ω	<100	Ω
Bias Voltage	7.5 to 9.5	VDC	7.5 to 9.5	VDC

This family also includes:

Model	Sensitivity (mV/Lb)	Range (Lbs.Force)	Max.Force (Lbs.Force)	Discharge T.C. (sec)
1203V1	50	100	200	90
1203V2	10	500	1,000	450
1203V3	5	1,000	5,000	850
1203V4	1.0	5,000	10,000	1800

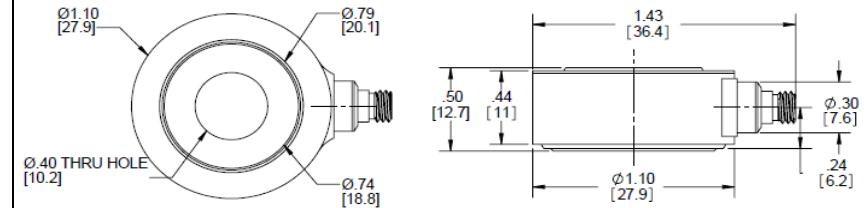
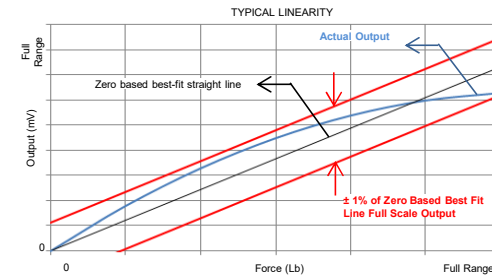
Please refer to the performance specifications of the products in this family for detailed description

Supplied Accessories:

- 1) Accredited calibration certificate (ISO 17025)

Notes:

- [1] Radially mounted with 10-32 receptacle micro coaxial connector
- [2] Percent of full scale or any lesser range, Zero based best-fit straight line method.
- [3] Power these instruments only with constant current type power units. Do not connect to a source of voltage without current limiting. This will destroy the integral IC amplifier.
- [4] In the interest of constant product improvement, we reserve the right to change specifications without notice. It is the customer's responsibility to validate that a particular product with the properties described in the product specification is suitable for use in a particular application. Parameters provided in datasheets and / or specifications may vary in different applications and performance may vary overtime. All operating parameters, including typical parameters, must be validated for each customer application by the customer's technical experts.



Units on the line drawing are in inches, units in brackets are in millimeters. Refer to 127-1203V for more information.

