

PERMANENT MAGNET SHAKER

DYN-PM-101

DynaLabs permanent magnet shakers create motion by magnets and coils pushing and pulling each other, similar to the technology used in loudspeakers.



ALL-IN-ONE SHAKER

DynaLabs permanent magnet shakers create motion by magnets and coils pushing and pulling each other, similar to the technology used in loudspeakers. The PM-101 shaker is identical to the PM-100, except it does not include an integrated amplifier. For those requiring an amplifier, the SA-400 and SA-500 models are available. With its lightweight design and powerful performance, it is the ideal solution for modal and vibration testing.



Advantages

- Lightweight, durable, portable and easy to use
- Adjustable trunnion base provides high degree of flexibility
- Broad frequency range
- External amplifier (SA-400 or SA-500)



Application Areas

- Vibration testing of small parts
- Sensor calibration
- Modal testing
- Shock testing
- Fatigue and resonance testing



DYNALABS MUHENDISLIK LTD STI

Ostim OSB Mah. 100 Yil Bulvarı Ostim
No:55B/11 Yenimahalle 06374 Ankara
TURKEY

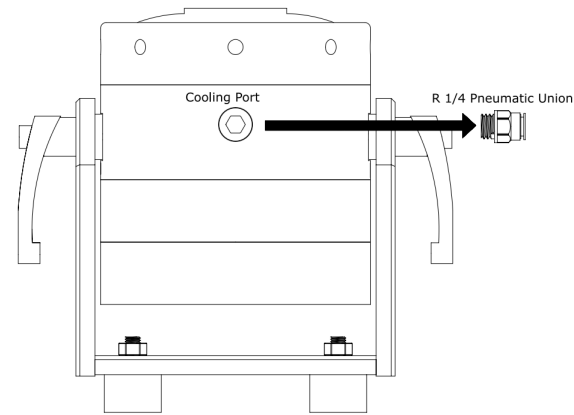
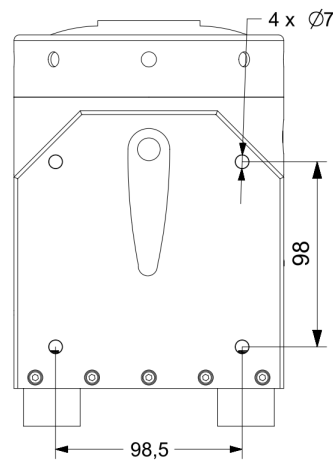
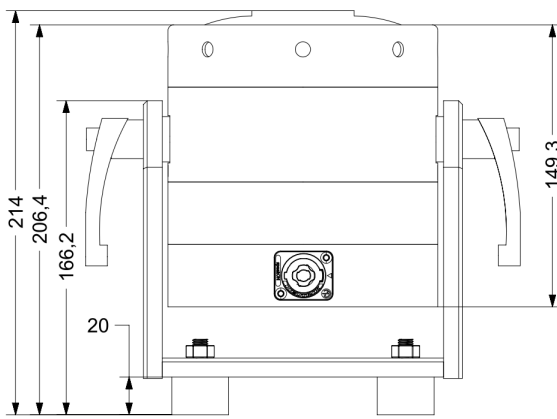
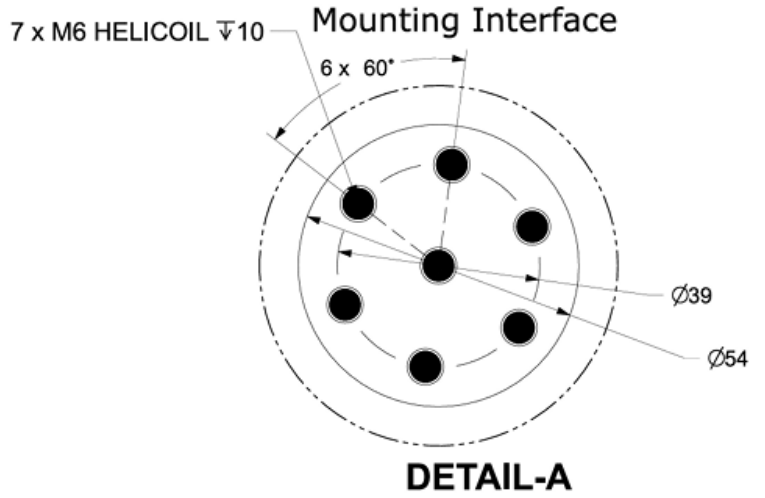
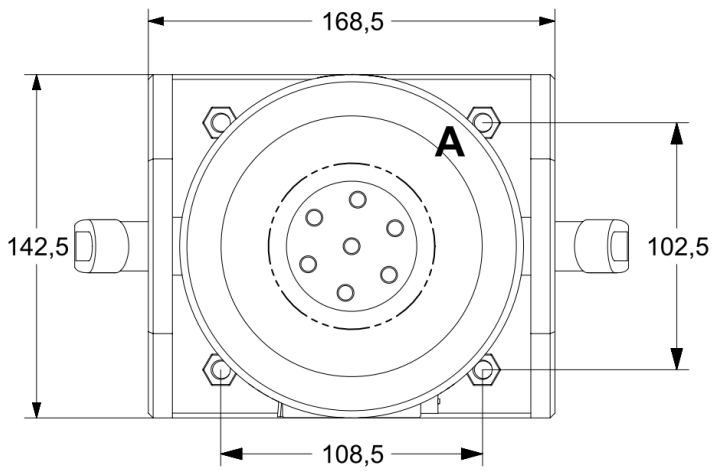
Phone: +90 312 386 21 89

Mail: dynalabs@dynalabs.com.tr

Web: www.dynalabs.com.tr

DynaLabs PERMANENT MAGNET SHAKER

DYN-PM-101



Output Force (Sinus)	Frequency Range	Max Payload (Vertical)	Displacement (P-P)	Maximum Acceleration	Shaker Weight	
100 N	0-7.5 kHz	1.5 kg	10 mm	60 g	7.3 kg	
Cooling System	Armature Weight	Operating Temp. Range	Suspension	Maximum Input Current	AMPLIFIER	Max Velocity
Natural Convection	170 gr	5-35 °C	Carbon Fiber	6A (RMS)	Optional (SA-400 / SA-500)	1 m/s



DYNALABS MUHENDISLIK LTD STI

Ostim OSB Mah. 100 Yil Bulvarı Ostim
No:55B/11 Yenimahalle 06374 Ankara
TURKEY

Phone: +90 312 386 21 89

Mail: dynalabs@dynalabs.com.tr

Web: www.dynalabs.com.tr