

PERMANENT MAGNET SHAKER

DYN-PM-10

DynaLabs permanent magnet shakers create motion by magnets and coils pushing and pulling each other, similar to the technology used in loudspeakers.



DynaLabs

ALL-IN-ONE SHAKER

The PM-10 shaker delivers a force rating of up to 10N across a frequency range of 10-10,000Hz. An external amplifier (SA-150) is used to drive the PM-10 shaker. PM-10 shakers are extensively used in diverse industries such as product testing, development, quality assurance, and research. Specifically designed for vibration testing of small objects requiring low force levels, the DYN-PM-10 is a versatile choice. Its lightweight design, weighing just 1.3 kg, ensures portability, making it ideal for various vibration testing applications in automotive, aerospace, and electronics sectors.



Advantages

- Compact size for easy handling
- High force output (up to 10N)
- Wide frequency range (10Hz-10kHz)
- Suitable for various testing and educational uses



Application Areas

- Vibration testing of small objects
- Mobility measurements
- Educational demonstrations
- Accelerometer calibration



DYNALABS MUHENDISLIK LTD STI

Ostim OSB Mah. 100 Yil Bulvarı Ostim
No:55B/11 Yenimahalle 06374 Ankara
TURKEY

Phone: +90 312 386 21 89

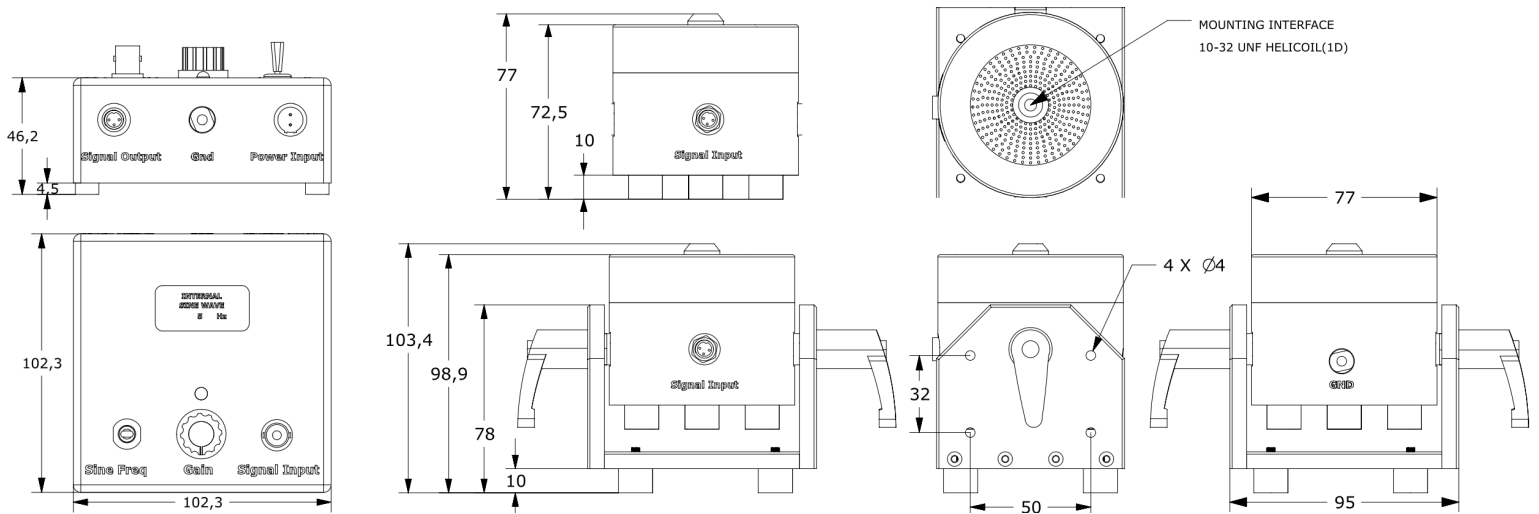
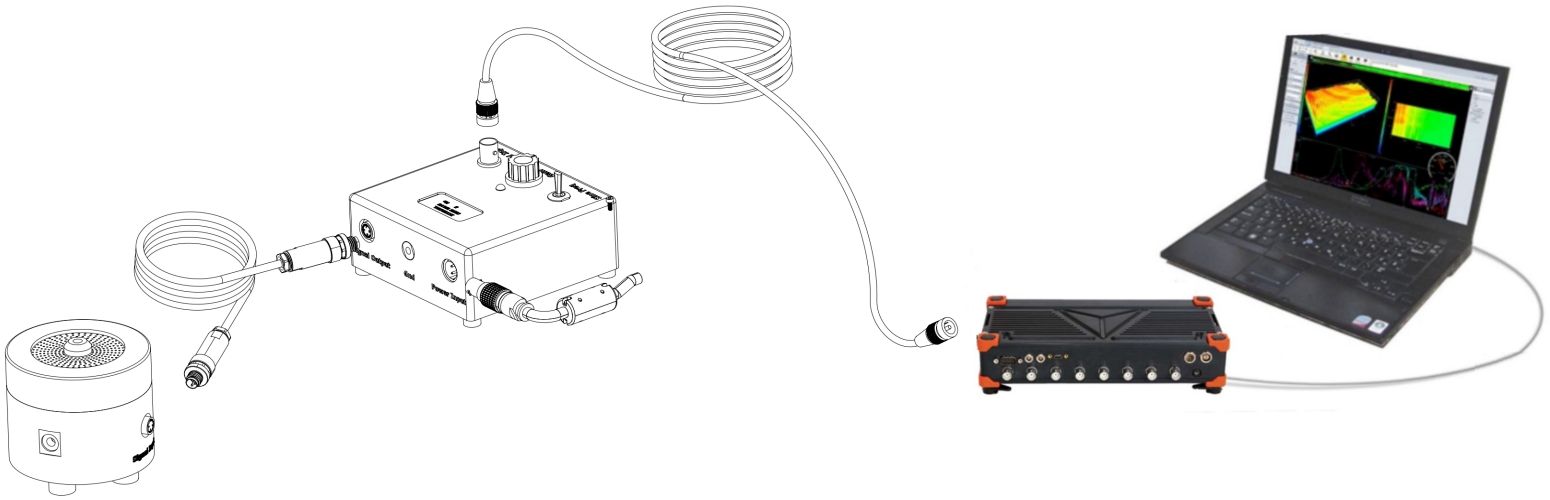
Mail: dynalabs@dynalabs.com.tr

Web: www.dynalabs.com.tr

DynaLabs

PERMANENT MAGNET SHAKER

DYN-PM-10



Output Force	Frequency Range	Maximum Acceleration	Maximum Input Current	Displacement (P-P)	Moving Mass	Shaker Weight (body)	Cooling System
10 N	10-1,0000 Hz	50 g	4A (RMS)	4 mm	0.02 kg	1 kg	Natural Convection
Operating Temp. Range	Suspension	AMPLIFIER	Amplifier Weight	Power Supply Voltage	Power Supply Current	External Signal Voltage Level	
5-35 °C	Carbon Fiber	EXTERNAL	0.65 kg	19 V (DC)	4.74 A	1 VAC (PEAK)	



DYNALABS MUHENDISLIK LTD STI

Ostim OSB Mah. 100 Yil Bulvarı Ostim
No:55B/11 Yenimahalle 06374 Ankara
TURKEY

Phone: +90 312 386 21 89

Mail: dynalabs@dynalabs.com.tr

Web: www.dynalabs.com.tr